

256Mb DDR2 SDRAM

H5PS2562GFR-xxC

H5PS2562GFR-xxI

H5PS2562GFR-xxL

H5PS2562GFR-xxJ

Revision History

| Rev. | History | Draft Date |
|------|------------------|------------|
| 1.0 | Release | Nov. 2010 |
| 1.1 | Corrected Typo | Dec. 2010 |
| 1.2 | Corrected Typo | Feb.2011 |
| 1.3 | New revised logo | June.2012 |

Contents

1. Description

- 1.1 Device Features and Ordering Information
 - 1.1.1 Key Features
 - 1.1.2 Ordering Information
 - 1.1.3 Ordering Frequency
- 1.2 Pin configuration
- 1.3 Pin Description

2. Maximum DC ratings

- 2.1 Absolute Maximum DC Ratings
- 2.2 Operating Temperature Condition

3. AC & DC Operating Conditions

- 3.1 DC Operating Conditions
 - 5.1.1 Recommended DC Operating Conditions(SSTL_1.8)
 - 5.1.2 ODT DC Electrical Characteristics
- 3.2 DC & AC Logic Input Levels
 - 3.2.1 Input DC Logic Level
 - 3.2.2 Input AC Logic Level
 - 3.2.3 AC Input Test Conditions
 - 3.2.4 Differential Input AC Logic Level
 - 3.2.5 Differential AC output parameters
- 3.3 Output Buffer Levels
 - 3.3.1 Output AC Test Conditions
 - 3.3.2 Output DC Current Drive
 - 3.3.3 OCD default characteristics
- 3.4 IDD Specifications & Measurement Conditions
- 3.5 Input/Output Capacitance

4. AC Timing Specifications

5. Package Dimensions

1. Description

1.1 Device Features & Ordering Information

1.1.1 Key Features

- VDD ,VDDQ =1.8 +/- 0.1V
- All inputs and outputs are compatible with SSTL_18 interface
- Fully differential clock inputs (CK, /CK) operation
- Double data rate interface
- Source synchronous-data transaction aligned to bidirectional data strobe (DQS, $\overline{\text{DQS}}$)
- Differential Data Strobe (DQS, $\overline{\text{DQS}}$)
- Data outputs on DQS, $\overline{\text{DQS}}$ edges when read (edged DQ)
- Data inputs on DQS centers when write(centered DQ)
- On chip DLL align DQ, DQS and $\overline{\text{DQS}}$ transition with CK transition
- DM mask write data-in at the both rising and falling edges of the data strobe
- All addresses and control inputs except data, data strobes and data masks latched on the rising edges of the clock
- Programmable CAS latency 2, 3, 4, 5, 6 and 7 supported
- Programmable additive latency 0, 1, 2, 3, 4 and 5 supported
- Programmable burst length 4 / 8 with both nibble sequential and interleave mode
- Internal four bank operations with single pulsed RAS
- Auto refresh and self refresh supported
- tRAS lockout supported
- 8K refresh cycles /64ms
- JEDEC standard 84ball FBGA(x16) : 7.5mm x 12.5mm
- Full strength driver option controlled by EMRS
- On Die Termination supported
- Off Chip Driver Impedance Adjustment supported
- Self-Refresh High Temperature Entry
- Partial Array Self Refresh support

Ordering Information

| Part No. | Configura-tion | Power Consumption | Operation Temp | Package |
|------------------|----------------|-----------------------------------|----------------|--------------|
| H5PS2562GFR-xx*C | 16Mx16 | Normal Consumption | Commercial | 84 Ball fBGA |
| H5PS2562GFR-xx*I | | Normal Consumption | Industrial | |
| H5PS2562GFR-xx*L | | Low Power Consumption (IDD6 Only) | Commercial | |
| H5PS2562GFR-xx*J | | Low Power Consumption (IDD6 Only) | Industrial | |

Note:

-XX* is the speed bin, refer to the Operating Frequency table for complete part number.

- SK hynix Inc. Halogen-free products are compliant to RoHS.

SK hynix Inc. supports Lead & Halogen free parts for each speed grade with same specification, except Lead free materials.

We'll add "R" character after "F" for Lead & Halogen free products

Operating Frequency

| Grade | tCK(ns) | CL | tRCD | tRP | Unit |
|-------|---------|----|------|-----|------|
| E3 | 5 | 3 | 3 | 3 | Clk |
| C4 | 3.75 | 4 | 4 | 4 | Clk |
| Y5 | 3 | 5 | 5 | 5 | Clk |
| S6 | 2.5 | 6 | 6 | 6 | Clk |
| S5 | 2.5 | 5 | 5 | 5 | Clk |
| G7 | 1.875 | 7 | 7 | 7 | Clk |

Note:

-G7 is a special speed product used in electronic engineering for high speed storage of the working data of a consumer digital electronic device.

1.2 Pin Configuration & Address Table

16Mx16 DDR2 PIN CONFIGURATION(Top view: see balls through package)

| | | | | | | |
|------|------|------------------------|---|-------------------------|--------------------------|------|
| 1 | 2 | 3 | | 7 | 8 | 9 |
| VDD | NC | VSS | A | VSSQ | $\overline{\text{UDQS}}$ | VDDQ |
| DQ14 | VSSQ | UDM | B | UDQS | VSSQ | DQ15 |
| VDDQ | DQ9 | VDDQ | C | VDDQ | DQ8 | VDDQ |
| DQ12 | VSSQ | DQ11 | D | DQ10 | VSSQ | DQ13 |
| VDD | NC | VSS | E | VSSQ | $\overline{\text{LDQS}}$ | VDDQ |
| DQ6 | VSSQ | LDM | F | LDQS | VSSQ | DQ7 |
| VDDQ | DQ1 | VDDQ | G | VDDQ | DQ0 | VDDQ |
| DQ4 | VSSQ | DQ3 | H | DQ2 | VSSQ | DQ5 |
| VDDL | VREF | VSS | J | VSSDL | CK | VDD |
| | CKE | $\overline{\text{WE}}$ | K | $\overline{\text{RAS}}$ | $\overline{\text{CK}}$ | ODT |
| NC | BA0 | BA1 | L | $\overline{\text{CAS}}$ | $\overline{\text{CS}}$ | |
| | A10 | A1 | M | A2 | A0 | VDD |
| VSS | A3 | A5 | N | A6 | A4 | |
| | A7 | A9 | P | A11 | A8 | VSS |
| VDD | A12 | NC | R | NC | NC | |

ROW AND COLUMN ADDRESS TABLE

| ITEMS | 16Mx16 |
|---------------------|----------|
| # of Bank | 4 |
| Bank Address | BA0, BA1 |
| Auto Precharge Flag | A10/AP |
| Row Address | A0 - A12 |
| Column Address | A0-A8 |
| Page size | 1 KB |

1.3 PIN DESCRIPTION

| PIN | TYPE | DESCRIPTION |
|---|------------------|---|
| CK, \overline{CK} | Input | Clock: CK and \overline{CK} are differential clock inputs. All address and control input signals are sampled on the crossing of the positive edge of CK and negative edge of \overline{CK} . Output (read) data is referenced to the crossings of CK and \overline{CK} (both directions of crossing). |
| CKE | Input | Clock Enable: CKE HIGH activates, and CKE LOW deactivates internal clock signals, and device input buffers and output drivers. Taking CKE LOW provides PRECHARGE POWER DOWN and SELF REFRESH operation (all banks idle), or ACTIVE POWER DOWN (row ACTIVE in any bank). CKE is synchronous for POWER DOWN entry and exit, and for SELF REFRESH entry. CKE is asynchronous for SELF REFRESH exit. After V_{REF} has become stable during the power on and initialization sequence, it must be maintained for proper operation of the CKE receiver. For proper self-refresh entry and exit, V_{REF} must be maintained to this input. CKE must be maintained high throughout READ and WRITE accesses. Input buffers, excluding CK, \overline{CK} and CKE are disabled during POWER DOWN. Input buffers, excluding CKE are disabled during SELF REFRESH. |
| \overline{CS} | Input | Chip Select : All commands are masked when \overline{CS} is registered HIGH. \overline{CS} provides for external bank selection on systems with multiple banks. \overline{CS} is considered part of the command code. |
| ODT | Input | On Die Termination Control : ODT(registered HIGH) enables on die termination resistance internal to the DDR2 SDRAM. For x16 configuration ODT is applied to each DQ, UDQS/ \overline{UDQS} .LDQS/ \overline{LDQS} , UDM and LDM signal. The ODT pin will be ignored if the Extended Mode Register(EMRS(1)) is programmed to disable ODT. |
| \overline{RAS} , \overline{CAS} , \overline{WE} | Input | Command Inputs: \overline{RAS} , \overline{CAS} and \overline{WE} (along with \overline{CS}) define the command being entered. |
| DM (LDM, UDM) | Input | Input Data Mask : DM is an input mask signal for write data. Input Data is masked when DM is sampled High coincident with that input data during a WRITE access. DM is sampled on both edges of DQS, Although DM pins are input only, the DM loading matches the DQ and DQS loading. |
| BA0 - BA1 | Input | Bank Address Inputs: BA0 - BA1 define to which bank an ACTIVE, Read, Write or PRECHARGE command is being applied. Bank address also determines if the mode register or extended mode register is to be accessed during a MRS or EMRS cycle. |
| A0 -A12 | Input | Address Inputs: Provide the row address for ACTIVE commands, and the column address and AUTO PRECHARGE bit for READ/WRITE commands to select one location out of the memory array in the respective bank. A10 is sampled during a precharge command to determine whether the PRECHARGE applies to one bank (A10 LOW) or all banks (A10 HIGH). If only one bank is to be precharged, the bank is selected by BA0-BA1. The address inputs also provide the op code during MODE REGISTER SET commands. |
| DQ | Input/ Output | Data input / output : Bi-directional data bus |

-Continue-

| PIN | TYPE | DESCRIPTION |
|--|------------------|---|
| UDQS, $\overline{\text{UDQS}}$ LDQS, $\overline{\text{LDQS}}$ | Input/ Output | <p>Data Strobe : Output with read data, input with write data. Edge aligned with read data, centered in write data. For the x16, LDQS correspond to the data on DQ0~DQ7; UDQS corresponds to the data on DQ8~DQ15. The data strobes DQS, LDQS and UDQS may be used in single ended mode or paired with optional complementary signals DQS, LDQS and UDQS to provide differential pair signaling to the system during both reads and writes. An EMRS(1) control bit enables or disables all complementary data strobe signals.</p> <p>In this data sheet, "differential DQS signals" refers to any of the following with A10 = 0 of EMRS(1)</p> <p style="text-align: center;">x16 LDQS/$\overline{\text{LDQS}}$ and UDQS/$\overline{\text{UDQS}}$</p> <p>"single-ended DQS signals" refers to any of the following with A10 = 1 of EMRS(1)</p> <p style="text-align: center;">x16 LDQS and UDQS</p> |
| NC | | No Connect : No internal electrical connection is present. |
| VDDQ | Supply | DQ Power Supply: 1.8V +/- 0.1V |
| VSSQ | Supply | DQ Ground |
| VDDL | Supply | DLL Power Supply : 1.8V +/- 0.1V |
| VSSDL | Supply | DLL Ground |
| VDD | Supply | Power Supply : 1.8V +/- 0.1V |
| VSS | Supply | Ground |
| VREF | Supply | Reference voltage for inputs for SSTL interface. |

2. Maximum DC Ratings

2.1 Absolute Maximum DC Ratings

| Symbol | Parameter | Rating | Units | Notes |
|------------------------------------|---|-----------------|-------|-------|
| VDD | Voltage on VDD pin relative to Vss | - 1.0 V ~ 2.3 V | V | 1 |
| VDDQ | Voltage on VDDQ pin relative to Vss | - 0.5 V ~ 2.3 V | V | 1 |
| VDDL | Voltage on VDDL pin relative to Vss | - 0.5 V ~ 2.3 V | V | 1 |
| V _{IN} , V _{OUT} | Voltage on any pin relative to Vss | - 0.5 V ~ 2.3 V | V | 1 |
| T _{STG} | Storage Temperature | -55 to +100 | °C | 1, 2 |
| I _I | Input leakage current; any input 0V V _{IN} VDD; all other balls not under test = 0V) | -2 uA ~ 2 uA | uA | |
| I _{OZ} | Output leakage current; 0V V _{OUT} VDDQ; DQ and ODT disabled | -5 uA ~ 5 uA | uA | |

1. Stresses greater than those listed under “Absolute Maximum Ratings” may cause permanent damage to the device. This is a stress rating only and functional operation of the device at these or any other conditions above those indicated in the operational sections of this specification is not implied. Exposure to absolute maximum rating conditions for extended periods may affect reliability.
2. Storage Temperature is the case surface temperature on the center/top side of the DRAM. For the measurement conditions. Please refer to JESD51-2 standard.

2.2 Operating Temperature Condition

| Symbol | Parameter | Rating | Units | Notes | |
|-------------------|-----------------------|------------|-----------|-------|-----|
| T _{OPER} | Operating Temperature | Commercial | 0 to 85 | °C | 1,2 |
| | | Industrial | -40 to 95 | | |

Note:

1. Operating Temperature is the case surface temperature on the center/top side of the DRAM. For the measurement conditions, please refer to JESD51-2 standard.
2. At 85~95° T_{OPER}, Double refresh rate(tREFI: 3.9us) is required, and to enter the self refresh mode at this temperature range it must be required an EMRS command to change itself refresh rate.

3. AC & DC Operating Conditions

3.1 DC Operating Conditions

3.1.1 Recommended DC Operating Conditions (SSTL_1.8)

| Symbol | Parameter | Rating | | | Units | Notes |
|--------|---------------------------|-----------|-----------|-----------|-------|-------|
| | | Min. | Typ. | Max. | | |
| VDD | Supply Voltage | 1.7 | 1.8 | 1.9 | V | 1 |
| VDDL | Supply Voltage for DLL | 1.7 | 1.8 | 1.9 | V | 1,2 |
| VDDQ | Supply Voltage for Output | 1.7 | 1.8 | 1.9 | V | 1,2 |
| VREF | Input Reference Voltage | 0.49*VDDQ | 0.50*VDDQ | 0.51*VDDQ | mV | 3,4 |
| VTT | Termination Voltage | VREF-0.04 | VREF | VREF+0.04 | V | 5 |

1. Min. Typ. and Max. values increase by 100mV for C3(DDR2-533 3-3-3) speed option.
2. VDDQ tracks with VDD, VDDL tracks with VDD. AC parameters are measured with VDD, VDDQ and VDD.
3. The value of VREF may be selected by the user to provide optimum noise margin in the system. Typically the value of VREF is expected to be about 0.5 x VDDQ of the transmitting device and VREF is expected to track variations in VDDQ
4. Peak to peak ac noise on VREF may not exceed +/-2% VREF (dc).
5. VTT of transmitting device must track VREF of receiving device.

3.1.2 ODT DC electrical characteristics

| PARAMETER/CONDITION | SYMBOL | MIN | NOM | MAX | UNITS | NOTES |
|--|-----------|-----|-----|-----|-------|-------|
| Rtt effective impedance value for EMRS(A6,A2)=0,1; 75 ohm | Rtt1(eff) | 60 | 75 | 90 | ohm | 1 |
| Rtt effective impedance value for EMRS(A6,A2)=1,0; 150 ohm | Rtt2(eff) | 120 | 150 | 180 | ohm | 1 |
| Rtt effective impedance value for EMRS(A6,A2)=1,1; 50 ohm | Rtt3(eff) | 40 | 50 | 60 | ohm | 1 |
| Deviation of VM with respect to VDDQ/2 | delta VM | -6 | | +6 | % | 1 |

Note:

1. Test condition for Rtt measurements

Measurement Definition for Rtt(eff): Apply $V_{IH}(ac)$ and $V_{IL}(ac)$ to test pin separately, then measure current $I(V_{IH}(ac))$ and $I(V_{IL}(ac))$ respectively. $V_{IH}(ac)$, $V_{IL}(ac)$, and VDDQ values defined in SSTL_18

$$R_{tt}(eff) = \frac{V_{IH}(ac) - V_{IL}(ac)}{I(V_{IH}(ac)) - I(V_{IL}(ac))}$$

Measurement Definition for VM : Measurement Voltage at test pin(mid point) with no load.

$$\text{delta VM} = \frac{2 \times V_m}{V_{DDQ}} - 1 \times 100\%$$

3.2 DC & AC Logic Input Levels

3.2.1 Input DC Logic Level

| Symbol | Parameter | Min. | Max. | Units | Notes |
|--------------|---------------------|-------------------|-------------------|-------|-------|
| $V_{IH(dc)}$ | dc input logic high | $V_{REF} + 0.125$ | $V_{DDQ} + 0.3$ | V | |
| $V_{IL(dc)}$ | dc input logic low | - 0.3 | $V_{REF} - 0.125$ | V | |

3.2.2 Input AC Logic Level

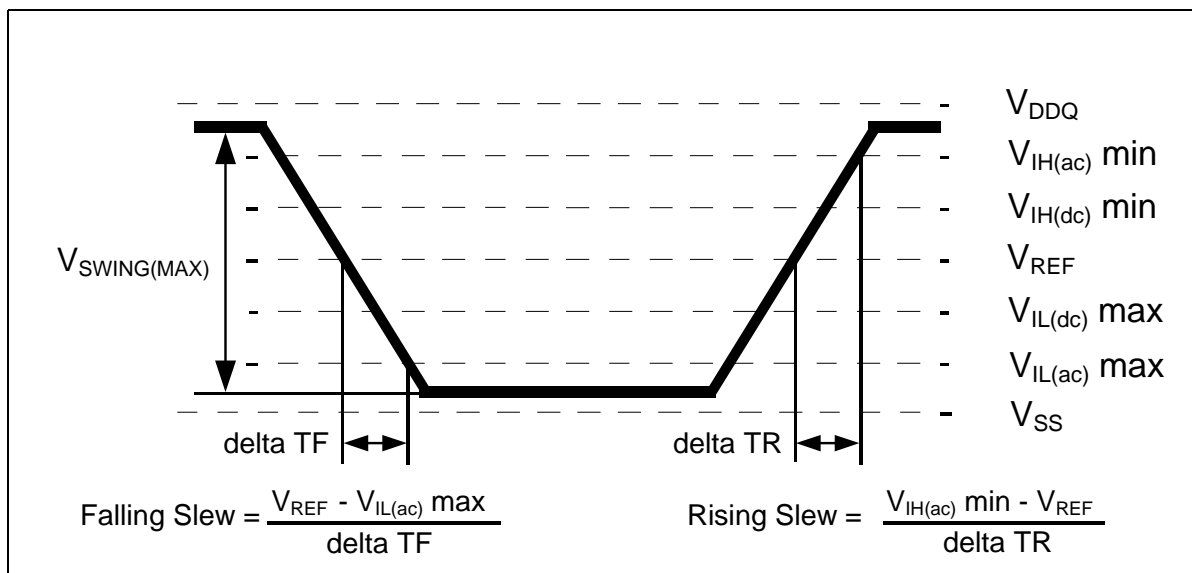
| Symbol | Parameter | DDR2 400,533 | | DDR2 667,800 | | Units | Notes |
|--------------|---------------------|-------------------|-------------------|-------------------|-------------------|-------|-------|
| | | Min. | Max. | Min. | Max. | | |
| $V_{IH(ac)}$ | ac input logic high | $V_{REF} + 0.250$ | - | $V_{REF} + 0.200$ | - | V | |
| $V_{IL(ac)}$ | ac input logic low | - | $V_{REF} - 0.250$ | - | $V_{REF} - 0.200$ | V | |

3.2.3 AC Input Test Conditions

| Symbol | Condition | Value | Units | Notes |
|------------------|---|-----------------|-------|-------|
| V_{REF} | Input reference voltage | $0.5 * V_{DDQ}$ | V | 1 |
| $V_{SWING(MAX)}$ | Input signal maximum peak to peak swing | 1.0 | V | 1 |
| SLEW | Input signal minimum slew rate | 1.0 | V/ns | 2, 3 |

Note:

1. Input waveform timing is referenced to the input signal crossing through the V_{REF} level applied to the device under test.
2. The input signal minimum slew rate is to be maintained over the range from V_{REF} to $V_{IH(ac)}$ min for rising edges and the range from V_{REF} to $V_{IL(ac)}$ max for falling edges as shown in the below figure.
3. AC timings are referenced with input waveforms switching from $V_{IL(ac)}$ to $V_{IH(ac)}$ on the positive transitions and $V_{IH(ac)}$ to $V_{IL(ac)}$ on the negative transitions.

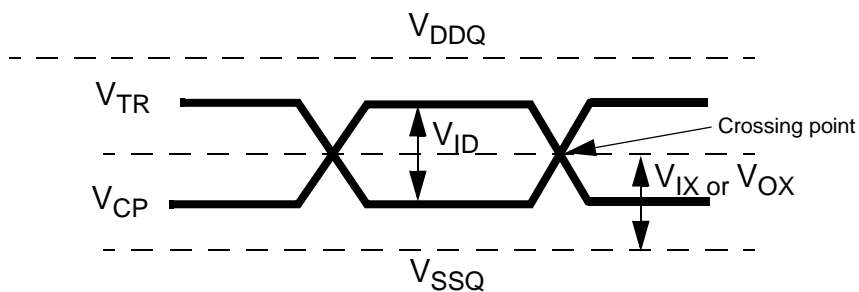


< Figure : AC Input Test Signal Waveform >

3.2.4 Differential Input AC logic Level

| Symbol | Parameter | Min. | Max. | Units | Notes |
|---------------|-------------------------------------|-------------------------|-------------------------|-------|-------|
| $V_{ID} (ac)$ | ac differential input voltage | 0.5 | $V_{DDQ} + 0.6$ | V | 1 |
| $V_{IX} (ac)$ | ac differential cross point voltage | $0.5 * V_{DDQ} - 0.175$ | $0.5 * V_{DDQ} + 0.175$ | V | 2 |

- $V_{IN}(DC)$ specifies the allowable DC execution of each input of differential pair such as \overline{CK} , \overline{DQS} , \overline{LDQS} , \overline{UDQS} and \overline{UDQS} .
- $V_{ID}(DC)$ specifies the input differential voltage $|V_{TR} - V_{CP}|$ required for switching, where V_{TR} is the true input (such as \overline{CK} , \overline{DQS} , \overline{LDQS} or \overline{UDQS}) level and V_{CP} is the complementary input (such as \overline{CK} , \overline{DQS} , \overline{LDQS} or \overline{UDQS}) level. The minimum value is equal to $V_{IH}(DC) - V_{IL}(DC)$.



< Differential signal levels >

Note:

- $V_{ID}(AC)$ specifies the input differential voltage $|V_{TR} - V_{CP}|$ required for switching, where V_{TR} is the true input signal (such as \overline{CK} , \overline{DQS} , \overline{LDQS} or \overline{UDQS}) and V_{CP} is the complementary input signal (such as \overline{CK} , \overline{DQS} , \overline{LDQS} or \overline{UDQS}). The minimum value is equal to $V_{IH}(AC) - V_{IL}(AC)$.
- The typical value of $V_{IX}(AC)$ is expected to be about $0.5 * V_{DDQ}$ of the transmitting device and $V_{IX}(AC)$ is expected to track variations in V_{DDQ} . $V_{IX}(AC)$ indicates the voltage at which differential input signals must cross.

3.2.5 Differential AC output parameters

| Symbol | Parameter | Min. | Max. | Units | Notes |
|---------------|-------------------------------------|-------------------------|-------------------------|-------|-------|
| $V_{OX} (ac)$ | ac differential cross point voltage | $0.5 * V_{DDQ} - 0.125$ | $0.5 * V_{DDQ} + 0.125$ | V | 1 |

Note:

- The typical value of $V_{OX}(AC)$ is expected to be about $0.5 * V_{DDQ}$ of the transmitting device and $V_{OX}(AC)$ is expected to track variations in V_{DDQ} . $V_{OX}(AC)$ indicates the voltage at which differential output signals must cross.

3.3 Output Buffer Characteristics

3.3.1 Output AC Test Conditions

| Symbol | Parameter | SSTL_18 Class II | Units | Notes |
|-----------|---|------------------|-------|-------|
| V_{OTR} | Output Timing Measurement Reference Level | $0.5 * V_{DDQ}$ | V | 1 |

1. The VDDQ of the device under test is referenced.

3.3.2 Output DC Current Drive

| Symbol | Parameter | SSTL_18 | Units | Notes |
|--------------|----------------------------------|---------|-------|---------|
| $I_{OH(dc)}$ | Output Minimum Source DC Current | - 13.4 | mA | 1, 3, 4 |
| $I_{OL(dc)}$ | Output Minimum Sink DC Current | 13.4 | mA | 2, 3, 4 |

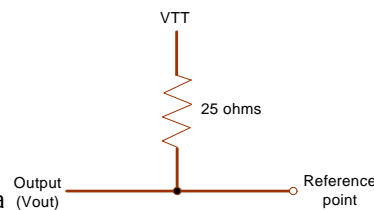
1. $V_{DDQ} = 1.7\text{ V}$; $V_{OUT} = 1420\text{ mV}$. $(V_{OUT} - V_{DDQ})/I_{OH}$ must be less than 21 ohm for values of V_{OUT} between V_{DDQ} and $V_{DDQ} - 280\text{ mV}$.
2. $V_{DDQ} = 1.7\text{ V}$; $V_{OUT} = 280\text{ mV}$. V_{OUT}/I_{OL} must be less than 21 ohm for values of V_{OUT} between 0 V and 280 mV.
3. The dc value of V_{REF} applied to the receiving device is set to V_{TT} .
4. The values of $I_{OH(dc)}$ and $I_{OL(dc)}$ are based on the conditions given in Notes 1 and 2. They are used to test device drive current capability to ensure V_{IH} min plus a noise margin and V_{IL} max minus a noise margin are delivered to an SSTL_18 receiver. The actual current values are derived by shifting the desired driver operating point (see Section 3.3) along a 21 ohm load line to define a convenient driver current for measurement.

3.3.3 OCD default characteristics

| Description | Parameter | Min | Nom | Max | Unit | Notes |
|--|-----------|--|-----|-----|------|-------------|
| Output impedance | | See full strength default driver characteristics | | | ohms | 1 |
| Output impedance step size for OCD calibration | | 0 | | 1.5 | ohms | 6 |
| Pull-up and pull-down mismatch | | 0 | | 4 | ohms | 1,2,3 |
| Output slew rate | Sout | 1.5 | - | 5 | V/ns | 1,4,5,6,7,8 |

Note

- Absolute Specifications (Toper; VDD = +1.8V ±0.1V, VDDQ = +1.8V ±0.1V). DRAM I/O specifications for timing, voltage, and slew rate are no longer applicable if OCD is changed from default settings. Please refer to the Device Operation & Timing Diagram of DDR2 for the Full Strength Default Driver Characteristics.
- Impedance measurement condition for output source dc current: VDDQ=1.7V; VOUT=1420mV; (VOUT-VDDQ)/Ioh must be less than 23.4 ohms for values of VOUT between VDDQ and VDDQ-280mV. Impedance measurement condition for output sink dc current: VDDQ = 1.7V; VOUT = 280mV; VOUT/Iol must be less than 23.4 ohms for values of VOUT between 0V and 280mV.
- Mismatch is absolute value between pull-up and pull-dn, both are measured at same temperature and voltage.
- Slew rate measured from vil(ac) to vih(ac).
- The absolute value of the slew rate as measured from DC to DC is equal to or greater than the slew rate as measured from AC to AC. This is guaranteed by design and characterization.
- This represents the step size when the OCD is near 18 ohms at nominal conditions across all process corners/ variations and represents only the DRAM uncertainty. A 0 ohm value(no calibration) can only be achieved if the OCD impedance is 18 ohms +/- 0.75 ohms under nominal conditions.

Output Slew rate load:


- DRAM output slew rate specification at V_{out} need bins.
- Timing skew due to DRAM output slew rate mis-match between DQS / \overline{DQS} and associated DQs is included in tDQSQ and tQHS specification.

3.4 IDD Specifications & Test Conditions

IDD Specifications(max)

| Symbol | | DDR2 1066 | DDR2 800 | DDR2 667 | Units |
|--------|-----------|-----------|----------|----------|-------|
| | | x16 | x16 | x16 | |
| IDD0 | | 66 | 56 | 54 | mA |
| IDD1 | | 70 | 60 | 58 | mA |
| IDD2P | | 7 | 7 | 7 | mA |
| IDD2Q | | 20 | 18 | 18 | mA |
| IDD2N | | 25 | 21 | 21 | mA |
| IDD3P | F | 15 | 15 | 15 | mA |
| | S | 12 | 12 | 12 | mA |
| IDD3N | | 45 | 40 | 38 | mA |
| IDD4W | | 130 | 120 | 110 | mA |
| IDD4R | | 120 | 110 | 100 | mA |
| IDD5 | | 90 | 90 | 80 | mA |
| IDD6 | Normal | 6 | 6 | 6 | mA |
| | Low Power | 4 | 4 | 4 | mA |
| IDD7 | | 194 | 184 | 174 | mA |

Note : Product list

| Part No. | Configuration | Power Consumption | Operation Temp | Package |
|------------------|---------------|-----------------------------------|----------------|--------------|
| H5PS2562GFR-xx*C | 16Mx16 | Normal Consumption | Commercial | 84 Ball fBGA |
| H5PS2562GFR-xx*I | | Normal Consumption | Industrial | |
| H5PS2562GFR-xx*L | | Low Power Consumption (IDD6 Only) | Commercial | |
| H5PS2562GFR-xx*J | | Low Power Consumption (IDD6 Only) | Industrial | |

IDD Test Conditions

(IDD values are for full operating range of Voltage and Temperature, Notes 1-5)

| Symbol | Conditions | Units |
|--------|--|---------------------------|
| IDD0 | Operating one bank active-precharge current ; $t_{CK} = t_{CK}(IDD)$, $t_{RC} = t_{RC}(IDD)$, $t_{RAS} = t_{RAS\ min}(IDD)$; CKE is HIGH, \overline{CS} is HIGH between valid commands; Address bus inputs are SWITCHING; Data bus inputs are SWITCHING | mA |
| IDD1 | Operating one bank active-read-precharge current ; $I_{OUT} = 0mA$; $BL = 4$, $CL = CL(IDD)$, $AL = 0$; $t_{CK} = t_{CK}(IDD)$, $t_{RC} = t_{RC}(IDD)$, $t_{RAS} = t_{RAS\ min}(IDD)$, $t_{RCD} = t_{RCD}(IDD)$; CKE is HIGH, \overline{CS} is HIGH between valid commands; Address bus inputs are SWITCHING; Data pattern is same as IDD4W | mA |
| IDD2P | Precharge power-down current ; All banks idle; $t_{CK} = t_{CK}(IDD)$; CKE is LOW; Other control and address bus inputs are STABLE; Data bus inputs are FLOATING | mA |
| IDD2Q | Precharge quiet standby current ; All banks idle; $t_{CK} = t_{CK}(IDD)$; CKE is HIGH, \overline{CS} is HIGH; Other control and address bus inputs are STABLE; Data bus inputs are FLOATING | mA |
| IDD2N | Precharge standby current ; All banks idle; $t_{CK} = t_{CK}(IDD)$; CKE is HIGH, \overline{CS} is HIGH; Other control and address bus inputs are SWITCHING; Data bus inputs are SWITCHING | mA |
| IDD3P | Active power-down current ; All banks open; $t_{CK} = t_{CK}(IDD)$; CKE is LOW; Other control and address bus inputs are STABLE; Data bus inputs are FLOATING | Fast PDN Exit MRS(12) = 0 |
| | | Slow PDN Exit MRS(12) = 1 |
| IDD3N | Active standby current ; All banks open; $t_{CK} = t_{CK}(IDD)$, $t_{RAS} = t_{RAS\ max}(IDD)$, $t_{RP} = t_{RP}(IDD)$; CKE is HIGH, \overline{CS} is HIGH between valid commands; Other control and address bus inputs are SWITCHING; Data bus inputs are SWITCHING | mA |
| IDD4W | Operating burst write current ; All banks open, Continuous burst writes; $BL = 4$, $CL = CL(IDD)$, $AL = 0$; $t_{CK} = t_{CK}(IDD)$, $t_{RAS} = t_{RAS\ max}(IDD)$, $t_{RP} = t_{RP}(IDD)$; CKE is HIGH, \overline{CS} is HIGH between valid commands; Address bus inputs are SWITCHING; Data bus inputs are SWITCHING | mA |
| IDD4R | Operating burst read current ; All banks open, Continuous burst reads, $I_{OUT} = 0mA$; $BL = 4$, $CL = CL(IDD)$, $AL = 0$; $t_{CK} = t_{CK}(IDD)$, $t_{RAS} = t_{RAS\ max}(IDD)$, $t_{RP} = t_{RP}(IDD)$; CKE is HIGH, \overline{CS} is HIGH between valid commands; Address bus inputs are SWITCHING;; Data pattern is same as IDD4W | mA |
| IDD5B | Burst refresh current ; $t_{CK} = t_{CK}(IDD)$; Refresh command at every $t_{RFC}(IDD)$ interval; CKE is HIGH, \overline{CS} is HIGH between valid commands; Other control and address bus inputs are SWITCHING; Data bus inputs are SWITCHING | mA |
| IDD6 | Self refresh current ; CK and \overline{CK} at 0V; CKE $\leq 0.2V$; Other control and address bus inputs are FLOATING; Data bus inputs are FLOATING | mA |

| | | |
|-------------|--|----|
| IDD7 | Operating bank interleave read current; All bank interleaving reads, IOU _T = 0mA; BL = 4, CL = CL(IDD), AL = t _{RCD} (IDD)-1*t _{CK} (IDD); t _{CK} = t _{CK} (IDD), t _{RC} = t _{RC} (IDD), t _{RRD} = t _{RRD} (IDD), t _{RCD} = 1*t _{CK} (IDD); CKE is HIGH, \overline{CS} is HIGH between valid commands; Address bus inputs are STABLE during DESELECTs; Data pattern is same as IDD4R; - Refer to the following page for detailed timing conditions | mA |
|-------------|--|----|

Note:

1. VDDQ = 1.8 +/- 0.1V ; VDD = 1.8 +/- 0.1V
(exclusively VDDQ = 1.9 +/- 0.1V ; VDD = 1.9 +/- 0.1V for C3 speed grade)
2. IDD specifications are tested after the device is properly initialized
3. Input slew rate is specified by AC Parametric Test Condition
4. IDD parameters are specified with ODT disabled.
5. Data bus consists of DQ, DM, DQS, QDS, RDQS, RDQS, LDQS, LDQS, UDQS, and UDQS. IDD values must be met with all combinations of EMRS bits 10 and 11.
6. Definitions for IDD
 - LOW is defined as Vin \leq VILAC(max)
 - HIGH is defined as Vin \geq VIHAC(min)
 - STABLE is defined as inputs stable at a HIGH or LOW level
 - FLOATING is defined as inputs at VREF = VDDQ/2
 - SWITCHING is defined as: inputs changing between HIGH and LOW every other clock cycle (once per two clocks) for address and control signals, and inputs changing between HIGH and LOW every other data transfer (once per clock) for DQ signals not including masks or strobes.

For purposes of IDD testing, the following parameters are to be utilized

| Speed Bin (CL-tRCD-tRP) | DDR2-800 | | DDR2-667 | DDR2-533 | DDR2-400 | Units |
|----------------------------|----------|-------|----------|----------|----------|-------|
| | 5-5-5 | 6-6-6 | 5-5-5 | 4-4-4 | 3-3-3 | |
| CL(IDD) | 5 | 6 | 5 | 4 | 3 | tCK |
| tRCD(IDD) | 12.5 | 15 | 15 | 15 | 15 | ns |
| tRC(IDD) | 57.25 | 60 | 60 | 60 | 55 | ns |
| tRRD(IDD) | 10 | 10 | 10 | 10 | 10 | ns |
| tCK(IDD) | 2.5 | 2.5 | 3 | 3.75 | 5 | ns |
| tRASmin(IDD) | 45 | 45 | 45 | 45 | 40 | ns |
| tRASmax(IDD) | 70000 | 70000 | 70000 | 70000 | 70000 | ns |
| tRP(IDD) | 12.5 | 15 | 15 | 15 | 15 | ns |
| tRFC(IDD)-512Mb | 105 | 105 | 105 | 105 | 105 | ns |

Detailed IDD7

The detailed timings are shown below for IDD7. Changes will be required if timing parameter changes are made to the specification.

Legend: A = Active; RA = Read with Autoprecharge; D = Deselect

IDD7: Operating Current: All Bank Interleave Read operation

All banks are being interleaved at minimum tRC(IDD) without violating tRRD(IDD) using a burst length of 4. Control and address bus inputs are STABLE during DESELECTs. IOU_T = 0mA

Timing Patterns for 4 bank devices

- DDR2-400 3/3/3: A0 RA0 A1 RA1 A2 RA2 A3 RA3 D D D (11 clocks)
- DDR2-533 3/3/3: A0 RA0 D A1 RA1 D A2 RA2 D A3 RA3 D D D D (15 clocks)
- DDR2-533 4/4/4: A0 RA0 D A1 RA1 D A2 RA2 D A3 RA3 D D D D D (16 clocks)
- DDR2-667 4/4/4: A0 RA0 D D A1 RA1 D D A2 RA2 D D A3 RA3 D D D D D (19 clocks)
- DDR2-667 5/5/5: A0 RA0 D D A1 RA1 D D A2 RA2 D D A3 RA3 D D D D D D (20 clocks)
- DDR2-800 5/5/5: A0 RA0 D D A1 RA1 D D A2 RA2 D D A3 RA3 D D D D D D D (23 clocks)
- DDR2-800 6/6/6: A0 RA0 D D A1 RA1 D D A2 RA2 D D A3 RA3 D D D D D D D D (24 clocks)

3.5. Input/Output Capacitance

| Parameter | Symbol | DDR2- 400 DDR2- 533 | | DDR2 667 | | DDR2 800 | | Units |
|---|--------|------------------------|------|----------|------|----------|------|-------|
| | | Min | Max | Min | Max | Min | Max | |
| Input capacitance, CK and \overline{CK} | CCK | 1.0 | 2.0 | 1.0 | 2.0 | 1.0 | 2.0 | pF |
| Input capacitance delta, CK and \overline{CK} | CDCK | x | 0.25 | x | 0.25 | x | 0.25 | pF |
| Input capacitance, all other input-only pins | CI | 1.0 | 2.0 | 1.0 | 2.0 | 1.0 | 1.75 | pF |
| Input capacitance delta, all other input-only pins | CDI | x | 0.25 | x | 0.25 | x | 0.25 | pF |
| Input/output capacitance, DQ, DM, DQS, \overline{DQS} | CIO | 2.5 | 4.0 | 2.5 | 3.5 | 2.5 | 3.5 | pF |
| Input/output capacitance delta, DQ, DM, DQS, \overline{DQS} | CDIO | x | 0.5 | x | 0.5 | x | 0.5 | pF |

4. Electrical Characteristics & AC Timing Specification

($0\text{ }^{\circ}\text{C} \leq T_{\text{CASE}} \leq 95\text{ }^{\circ}\text{C}$; $V_{\text{DDQ}} = 1.8\text{ V} \pm 0.1\text{V}$; $V_{\text{DD}} = 1.8\text{V} \pm 0.1\text{V}$)

Refresh Parameters by Device Density

| Parameter | Symbol | 256Mb | 512Mb | 1Gb | 2Gb | 4Gb | Units | |
|---|--------|--|-------|-------|-----|-------|-------|----|
| Refresh to Active /Refresh command time | tRFC | 75 | 105 | 127.5 | 195 | 327.5 | ns | |
| Average periodic refresh interval | tREFI | $0\text{ }^{\circ}\text{C} \leq T_{\text{CASE}} \leq 85\text{ }^{\circ}\text{C}$ | 7.8 | 7.8 | 7.8 | 7.8 | 7.8 | us |
| | | $85\text{ }^{\circ}\text{C} < T_{\text{CASE}} \leq 95\text{ }^{\circ}\text{C}$ | 3.9 | 3.9 | 3.9 | 3.9 | 3.9 | us |

DDR2 SDRAM speed bins and tRCD, tRP and tRC for corresponding bin

| Speed | DDR2-800D | DDR2-800E | DDR2-667D | DDR2-533C | DDR2-400B | Units |
|------------------|-----------|-----------|-----------|-----------|-----------|-------|
| Bin(CL-tRCD-tRP) | 5-5-5 | 6-6-6 | 5-5-5 | 4-4-4 | 3-3-3 | |
| Parameter | min | min | min | min | min | |
| CAS Latency | 5 | 6 | 5 | 4 | 5 | tCK |
| tRCD | 12.5 | 15 | 15 | 15 | 15 | ns |
| tRP | 12.5 | 15 | 15 | 15 | 15 | ns |
| tRAS | 45 | 45 | 45 | 45 | 40 | ns |
| tRC | 57.25 | 60 | 60 | 60 | 55 | ns |

Timing Parameters by Speed Grade

(Refer to notes for information related to this table at the following pages of this table)

| Parameter | Symbol | DDR2-400 | | DDR2-533 | | Unit | Note |
|--|---------------|------------------|---------|------------------|---------|------|--------------|
| | | min | max | min | max | | |
| DQ output access time from CK/ $\overline{\text{CK}}$ | tAC | -600 | +600 | -500 | +500 | ps | |
| DQS output access time from CK/ $\overline{\text{CK}}$ | tDQSCK | -500 | +500 | -450 | +450 | ps | |
| CK high-level width | tCH | 0.45 | 0.55 | 0.45 | 0.55 | tCK | |
| CK low-level width | tCL | 0.45 | 0.55 | 0.45 | 0.55 | tCK | |
| CK half period | tHP | min (tCL,tCH) | - | min (tCL,tCH) | - | ps | 11,12 |
| Clock cycle time, CL=x | tCK | 5000 | 8000 | 3750 | 8000 | ps | 15 |
| DQ and DM input setup time (differential strobe) | tDS (base) | 150 | - | 100 | - | ps | 6,7,8, 20 |
| DQ and DM input hold time (differential strobe) | tDH (base) | 275 | - | 225 | - | ps | 6,7,8, 21 |
| DQ and DM input setup time (single ended strobe) | tDS | 25 | - | -25 | - | ps | 6,7,8, 20 |
| DQ and DM input hold time (single ended strobe) | tDH | 25 | - | -25 | - | ps | 6,7,8, 21 |
| Control & Address input pulse width for each input | tIPW | 0.6 | - | 0.6 | - | tCK | |
| DQ and DM input pulse width for each input | tDIPW | 0.35 | - | 0.35 | - | tCK | |
| Data-out high-impedance time from CK/ $\overline{\text{CK}}$ | tHZ | - | tAC max | - | tAC max | ps | 18 |
| DQS low-impedance time from CK/ $\overline{\text{CK}}$ | tLZ(DQS) | tAC min | tAC max | tAC min | tAC max | ps | 18 |
| DQ low-impedance time from CK/ $\overline{\text{CK}}$ | tLZ(DQ) | 2*tAC min | tAC max | 2*tAC min | tAC max | ps | 18 |
| DQS-DQ skew for DQS and associated DQ signals | tDQSQ | - | 350 | - | 300 | ps | 13 |
| DQ hold skew factor | tQHS | - | 450 | - | 400 | ps | 12 |
| DQ/DQS output hold time from DQS | tQH | tHP - tQHS | - | tHP - tQHS | - | ps | |
| First DQS latching transition to associated clock edge | tDQSS | -0.25 | + 0.25 | -0.25 | + 0.25 | tCK | |
| DQS input high pulse width | tDQSH | 0.35 | - | 0.35 | - | tCK | |
| DQS input low pulse width | tDQSL | 0.35 | - | 0.35;; | - | tCK | |
| DQS falling edge to CK setup time | tDSS | 0.2 | - | 0.2 | - | tCK | |
| DQS falling edge hold time from CK | tDSH | 0.2 | - | 0.2 | - | tCK | |
| Mode register set command cycle time | tMRD | 2 | - | 2 | - | tCK | |
| Write postamble | tWPST | 0.4 | 0.6 | 0.4 | 0.6 | tCK | 10 |
| Write preamble | tWPRE | 0.35 | - | 0.35 | - | tCK | |
| Address and control input setup time | tIS(base) | 350 | - | 250 | - | ps | 5,7,9, 23 |
| Address and control input hold time | tIH(base) | 475 | - | 375 | - | ps | 5,7,9, 23 |

-Continue-

(Refer to notes for information related to this table at the following pages of this table)

| Parameter | Symbol | DDR2-400 | | DDR2-533 | | Unit | Note |
|---|--------------------|-----------------|---------------------------|-----------------|---------------------------|------|------|
| | | min | max | min | max | | |
| Read preamble | tRPRE | 0.9 | 1.1 | 0.9 | 1.1 | tCK | |
| Read postamble | tRPST | 0.4 | 0.6 | 0.4 | 0.6 | tCK | |
| Active to active command period for 1KB page size products | tRRD | 7.5 | - | 7.5 | - | ns | 4 |
| Active to active command period for 2KB page size products | tRRD | 10 | - | 10 | - | ns | 4 |
| Four Active Window for 1KB page size products | tFAW | 37.5 | - | 37.5 | - | ns | |
| Four Active Window for 2KB page size products | tFAW | 50 | - | 50 | - | ns | |
| CAS to CAS command delay | tCCD | 2 | | 2 | | tCK | |
| Write recovery time | tWR | 15 | - | 15 | - | ns | |
| Auto precharge write recovery + precharge time | tDAL | WR+tRP | - | WR+tRP | - | tCK | 14 |
| Internal write to read command delay | tWTR | 10 | - | 7.5 | - | ns | 24 |
| Internal read to precharge command delay | tRTP | 7.5 | | 7.5 | | ns | 3 |
| Exit self refresh to a non-read command | tXSNR | tRFC + 10 | | tRFC + 10 | | ns | |
| Exit self refresh to a read command | tXSRD | 200 | - | 200 | - | tCK | |
| Exit precharge power down to any non-read command | tXP | 2 | - | 2 | - | tCK | |
| Exit active power down to read command | tXARD | 2 | | 2 | | tCK | 1 |
| Exit active power down to read command (Slow exit, Lower power) | tXARDS | 6 - AL | | 6 - AL | | tCK | 1, 2 |
| CKE minimum pulse width (high and low pulse width) | t _{CKE} | 3 | | 3 | | tCK | 27 |
| ODT turn-on delay | t _{AOND} | 2 | 2 | 2 | 2 | tCK | |
| ODT turn-on | t _{AON} | tAC(min) | tAC(max) +1 | tAC(min) | tAC(max) +1 | ns | 16 |
| ODT turn-on(Power-Down mode) | t _{AONPD} | tAC(min)+ 2 | 2tCK+ tAC(max) +1 | tAC(min)+ 2 | 2tCK+ tAC(max) +1 | ns | |
| ODT turn-off delay | t _{AOFD} | 2.5 | 2.5 | 2.5 | 2.5 | tCK | |
| ODT turn-off | t _{AOF} | tAC(min) | tAC(max) + 0.6 | tAC(min) | tAC(max) + 0.6 | ns | 17 |
| ODT turn-off (Power-Down mode) | t _{AOFPD} | tAC(min)+ 2 | 2.5tCK+ tAC(max) +1 | tAC(min)+ 2 | 2.5tCK+ tAC(max) +1 | ns | |
| ODT to power down entry latency | tANPD | 3 | | 3 | | tCK | |
| ODT power down exit latency | tAXPD | 8 | | 8 | | tCK | |
| OCD drive mode output delay | tOIT | 0 | 12 | 0 | 12 | ns | |
| Minimum time clocks remains ON after CKE asynchronously drops LOW | tDelay | tIS+tCK+t IH | | tIS+tCK+t IH | | ns | 15 |

| Parameter | Symbol | DDR2-667 | | DDR2-800 | | Unit | Note |
|--|------------|---------------|---------|---------------|---------|------|----------|
| | | min | max | min | max | | |
| DQ output access time from CK/ $\overline{\text{CK}}$ | tAC | -450 | +450 | -400 | +400 | ps | |
| DQS output access time from CK/ $\overline{\text{CK}}$ | tDQSCK | -400 | +400 | -350 | +350 | ps | |
| CK high-level width | tCH | 0.45 | 0.55 | 0.45 | 0.55 | tCK | |
| CK low-level width | tCL | 0.45 | 0.55 | 0.45 | 0.55 | tCK | |
| CK half period | tHP | min(tCL, tCH) | - | min(tCL, tCH) | - | ps | 11,12 |
| Clock cycle time, CL=x | tCK | 3000 | 8000 | 2500 | 8000 | ps | 15 |
| DQ and DM input setup time | tDS(base) | 100 | - | 50 | - | ps | 6,7,8,20 |
| DQ and DM input hold time | tDH (base) | 175 | - | 125 | - | ps | 6,7,8,21 |
| Control & Address input pulse width for each input | tIPW | 0.6 | - | 0.6 | - | tCK | |
| DQ and DM input pulse width for each input | tDIPW | 0.35 | - | 0.35 | - | tCK | |
| Data-out high-impedance time from CK/ $\overline{\text{CK}}$ | tHZ | - | tAC max | - | tAC max | ps | 18 |
| DQS low-impedance time from CK/ $\overline{\text{CK}}$ | tLZ(DQS) | tAC min | tAC max | tAC min | tAC max | ps | 18 |
| DQ low-impedance time from CK/ $\overline{\text{CK}}$ | tLZ(DQ) | 2*tAC min | tAC max | 2*tAC min | tAC max | ps | 18 |
| DQS-DQ skew for DQS and associated DQ signals | tDQSQ | - | 240 | - | 200 | ps | 13 |
| DQ hold skew factor | tQHS | - | 340 | - | 300 | ps | 12 |
| DQ/DQS output hold time from DQS | tQH | tHP - tQHS | - | tHP - tQHS | - | ps | |
| First DQS latching transition to associated clock edge | tDOSS | - 0.25 | + 0.25 | - 0.25 | + 0.25 | tCK | |
| DQS input high pulse width | tDQSH | 0.35 | - | 0.35 | - | tCK | |
| DQS input low pulse width | tDQSL | 0.35 | - | 0.35 | - | tCK | |
| DQS falling edge to CK setup time | tDSS | 0.2 | - | 0.2 | - | tCK | |
| DQS falling edge hold time from CK | tDSH | 0.2 | - | 0.2 | - | tCK | |
| Mode register set command cycle time | tMRD | 2 | - | 2 | - | tCK | |
| Write postamble | tWPST | 0.4 | 0.6 | 0.4 | 0.6 | tCK | 10 |
| Write preamble | tWPRE | 0.35 | - | 0.35 | - | tCK | |
| Address and control input setup time | tIS(base) | 200 | - | 175 | - | ps | 5,7,9,22 |
| Address and control input hold time | tIH(base) | 275 | - | 250 | - | ps | 5,7,9,23 |
| Read preamble | tRPRE | 0.9 | 1.1 | 0.9 | 1.1 | tCK | 19 |
| Read postamble | tRPST | 0.4 | 0.6 | 0.4 | 0.6 | tCK | 19 |
| Activate to precharge command | tRAS | 45 | 70000 | 45 | 70000 | ns | 3 |
| Active to active command period for 1KB page size products | tRRD | 7.5 | - | 7.5 | - | ns | 4 |
| Active to active command period for 2KB page size products | tRRD | 10 | - | 10 | - | ns | 4 |

-Continue-

| Parameter | Symbol | DDR2-667 | | DDR2-800 | | Unit | Note |
|---|--------------------|-------------|-------------------|-------------|-------------------|------|------|
| | | min | max | min | max | | |
| Four Active Window for 1KB page size products | tFAW | 37.5 | - | 37.5 | - | ns | |
| Four Active Window for 2KB page size products | tFAW | 50 | - | 50 | - | ns | |
| CAS to CAS command delay | tCCD | 2 | | 2 | | tCK | |
| Write recovery time | tWR | 15 | - | 15 | - | ns | |
| Auto precharge write recovery + precharge time | tDAL | WR+tRP | - | WR+tRP | - | tCK | 14 |
| Internal write to read command delay | tWTR | 7.5 | - | 7.5 | - | ns | 24 |
| Internal read to precharge command delay | tRTP | 7.5 | | 7.5 | | ns | 3 |
| Exit self refresh to a non-read command | tXSNR | tRFC + 10 | | tRFC + 10 | | ns | |
| Exit self refresh to a read command | tXSRD | 200 | - | 200 | - | tCK | |
| Exit precharge power down to any non-read command | tXP | 2 | - | 2 | - | tCK | |
| Exit active power down to read command | tXARD | 2 | | 2 | | tCK | 1 |
| Exit active power down to read command (Slow exit, Lower power) | tXARDS | 7 - AL | | 8 - AL | | tCK | 1, 2 |
| CKE minimum pulse width (high and low pulse width) | t _{CKE} | 3 | | 3 | | tCK | |
| ODT turn-on delay | t _{AOND} | 2 | 2 | 2 | 2 | tCK | |
| ODT turn-on | t _{AON} | tAC(min) | tAC(max)+0.7 | tAC(min) | tAC(max)+0.7 | ns | 6,16 |
| ODT turn-on(Power-Down mode) | t _{AONPD} | tAC(min)+2 | 2tCK+tAC(max)+1 | tAC(min)+2 | 2tCK+tAC(max)+1 | ns | |
| ODT turn-off delay | t _{AOFD} | 2.5 | 2.5 | 2.5 | 2.5 | tCK | |
| ODT turn-off | t _{AOF} | tAC(min) | tAC(max)+0.6 | tAC(min) | tAC(max)+0.6 | ns | 17 |
| ODT turn-off (Power-Down mode) | t _{AOFPD} | tAC(min)+2 | 2.5tCK+tAC(max)+1 | tAC(min)+2 | 2.5tCK+tAC(max)+1 | ns | |
| ODT to power down entry latency | tANPD | 3 | | 3 | | tCK | |
| ODT power down exit latency | tAXPD | 8 | | 8 | | tCK | |
| OCD drive mode output delay | tOIT | 0 | 12 | 0 | 12 | ns | |
| Minimum time clocks remains ON after CKE asynchronously drops LOW | tDelay | tIS+tCK+tIH | | tIS+tCK+tIH | | ns | 15 |

General notes, which may apply for all AC parameters

1. Slew Rate Measurement Levels

a. Output slew rate for falling and rising edges is measured between $V_{TT} - 250\text{ mV}$ and $V_{TT} + 250\text{ mV}$ for single ended signals.

For differential signals (e.g. $\overline{DQS} - DQS$) output slew rate is measured between $DQS - \overline{DQS} = -500\text{ mV}$ and $DQS - \overline{DQS} = +500\text{ mV}$. Output slew rate is guaranteed by design, but is not necessarily tested on each device.

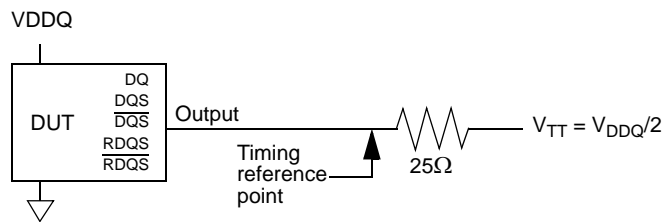
b. Input slew rate for single ended signals is measured from dc-level to ac-level: from $V_{IL}(\text{dc})$ to $V_{IH}(\text{ac})$ for rising edges and from $V_{IH}(\text{dc})$ and $V_{IL}(\text{ac})$ for falling edges.

For differential signals (e.g. $\overline{CK} - CK$) slew rate for rising edges is measured from $CK - \overline{CK} = -250\text{ mV}$ to $CK - \overline{CK} = +500\text{ mV}$ (250mV to -500 mV for falling edges).

c. VID is the magnitude of the difference between the input voltage on CK and the input voltage on \overline{CK} , or between \overline{DQS} and DQS for differential strobe.

2. DDR2 SDRAM AC timing reference load

The following figure represents the timing reference load used in defining the relevant timing parameters of the part. It is not intended to be either a precise representation of the typical system environment nor a depiction of the actual load presented by a production tester. System designers will use IBIS or other simulation tools to correlate the timing reference load to a system environment. Manufacturers will correlate to their production test conditions (generally a coaxial transmission line terminated at the tester electronics).

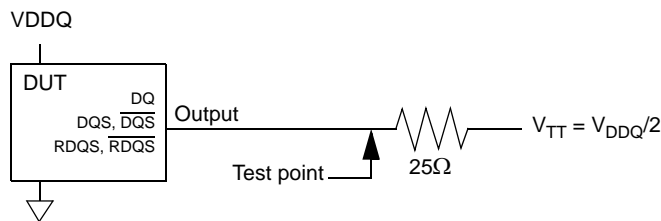


AC Timing Reference Load

The output timing reference voltage level for single ended signals is the crosspoint with V_{TT} . The output timing reference voltage level for differential signals is the crosspoint of the true (e.g. DQS) and the complement (e.g. \overline{DQS}) signal.

3. DDR2 SDRAM output slew rate test load

Output slew rate is characterized under the test conditions as shown below.



Slew Rate Test Load

4. Differential data strobe

DDR2 SDRAM pin timings are specified for either single ended mode or differential mode depending on the setting of the EMRS "Enable DQS" mode bit; timing advantages of differential mode are realized in system design. The method by which the DDR2 SDRAM pin timings are measured is mode dependent. In single

VREF. In differential mode, these timing relationships are measured relative to the crosspoint of DQS and its complement, \overline{DQS} . This distinction in timing methods is guaranteed by design and characterization. Note that when differential data strobe mode is disabled via the EMRS, the complementary pin, \overline{DQS} , must be tied externally to VSS through a 20 ohm to 10 K ohm resistor to insure proper operation.

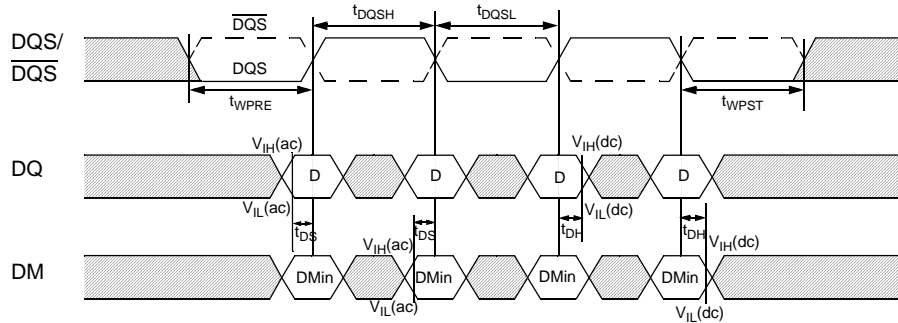


Figure -- Data input (write) timing

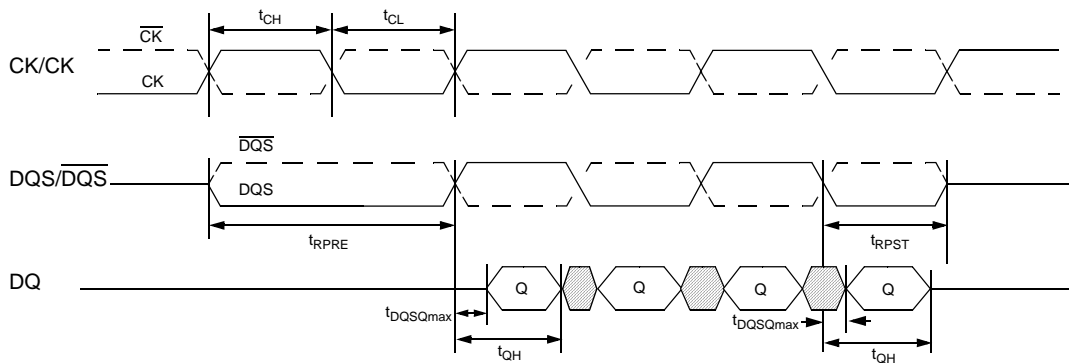


Figure -- Data output (read) timing

5. AC timings are for linear signal transitions. See System Derating for other signal transitions.
6. These parameters guarantee device behavior, but they are not necessarily tested on each device. They may be guaranteed by device design or tester correlation.
7. All voltages referenced to VSS.
8. Tests for AC timing, IDD, and electrical (AC and DC) characteristics, may be conducted at nominal reference/supply voltage levels, but the related specifications and device operation are guaranteed for the full voltage range specified.

Specific Notes for dedicated AC parameters

1. User can choose which active power down exit timing to use via MRS(bit 12). tXARD is expected to be used for fast active power down exit timing. tXARDS is expected to be used for slow active power down exit timing where a lower power value is defined by each vendor data sheet.
2. AL = Additive Latency
3. This is a minimum requirement. Minimum read to precharge timing is AL + BL/2 providing the tRTP and tRAS(min) have been satisfied.
4. A minimum of two clocks (2 * tCK or 2 * nCK) is required irrespective of operating frequency
5. Timings are specified with command/address input slew rate of 1.0 V/ns. See System Derating for other slew rate values.
6. Timings are guaranteed with DQs, DM, and DQS's(DQS/RDQS in singled ended mode) input slew rate of 1.0 V/ns. See System Derating for other slew rate values.
7. Timings are specified with CK/CK differential slew rate of 2.0 V/ns. Timings are guaranteed for DQS signals with a differential slew rate of 2.0 V/ns in differential strobe mode and a slew rate of 1V/ns in single ended mode. See System Derating for other slew rate values.
8. tDS and tDH derating

| tDS, tDH Derating Values for DDR2-400, DDR2-533(ALL units in 'ps', Note 1 applies to entire Table) | | | | | | | | | | | | | | | | | | | |
|--|-----|---------------------------------|-------|----------|-------|----------|-------|----------|-------|----------|-------|----------|-------|----------|-------|----------|-------|----------|-------|
| | | DQS, DQS Differential Slew Rate | | | | | | | | | | | | | | | | | |
| | | 4.0 V/ns | | 3.0 V/ns | | 2.0 V/ns | | 1.8 V/ns | | 1.6 V/ns | | 1.4 V/ns | | 1.2 V/ns | | 1.0 V/ns | | 0.8 V/ns | |
| | | Δ tDS | Δ tDH | Δ tDS | Δ tDH | Δ tDS | Δ tDH | Δ tDS | Δ tDH | Δ tDS | Δ tDH | Δ tDS | Δ tDH | Δ tDS | Δ tDH | Δ tDS | Δ tDH | Δ tDS | Δ tDH |
| DQ Slew rate V/ns | 2.0 | 125 | 45 | 125 | 45 | +125 | +45 | - | - | - | - | - | - | - | - | - | - | - | |
| | 1.5 | 83 | 21 | 83 | 21 | +83 | +21 | 95 | 33 | - | - | - | - | - | - | - | - | - | |
| | 1.0 | 0 | 0 | 0 | 0 | 0 | 0 | 12 | 12 | 24 | 24 | - | - | - | - | - | - | - | |
| | 0.9 | - | - | -11 | -14 | -11 | -14 | 1 | -2 | 13 | 10 | 25 | 22 | - | - | - | - | - | |
| | 0.8 | - | - | - | - | -25 | -31 | -13 | -19 | -1 | -7 | 11 | 5 | 23 | 17 | - | - | - | |
| | 0.7 | - | - | - | - | - | - | -31 | -42 | -19 | -19 | -7 | -8 | 5 | -6 | 17 | 6 | - | |
| | 0.6 | - | - | - | - | - | - | - | - | -43 | -59 | -31 | -47 | -19 | -35 | -7 | -23 | 5 | |
| | 0.5 | - | - | - | - | - | - | - | - | - | - | -74 | -89 | -62 | -77 | -50 | -65 | -38 | |
| 0.4 | - | - | - | - | - | - | - | - | - | - | - | - | -127 | -140 | -115 | -128 | -103 | | |

| tDS, tDH Derating Values for DDR2-667, DDR2-800(ALL units in 'ps', Note 1 applies to entire Table) | | | | | | | | | | | | | | | | | | | |
|--|-----|---------------------------------|-------|----------|-------|----------|-------|----------|-------|----------|-------|----------|-------|----------|-------|----------|-------|----------|-------|
| | | DQS, DQS Differential Slew Rate | | | | | | | | | | | | | | | | | |
| | | 4.0 V/ns | | 3.0 V/ns | | 2.0 V/ns | | 1.8 V/ns | | 1.6 V/ns | | 1.4 V/ns | | 1.2 V/ns | | 1.0 V/ns | | 0.8 V/ns | |
| | | Δ tDS | Δ tDH | Δ tDS | Δ tDH | Δ tDS | Δ tDH | Δ tDS | Δ tDH | Δ tDS | Δ tDH | Δ tDS | Δ tDH | Δ tDS | Δ tDH | Δ tDS | Δ tDH | Δ tDS | Δ tDH |
| DQ Slew rate V/ns | 2.0 | 100 | 45 | 100 | 45 | 100 | 45 | - | - | - | - | - | - | - | - | - | - | - | |
| | 1.5 | 67 | 21 | 67 | 21 | 67 | 21 | 79 | 33 | - | - | - | - | - | - | - | - | - | |
| | 1.0 | 0 | 0 | 0 | 0 | 0 | 0 | 12 | 12 | 24 | 24 | - | - | - | - | - | - | - | |
| | 0.9 | - | - | -5 | -14 | -5 | -14 | 7 | -2 | 19 | 10 | 31 | 22 | - | - | - | - | - | |
| | 0.8 | - | - | - | - | -13 | -31 | -1 | -19 | 11 | -7 | 23 | 5 | 35 | 17 | - | - | - | |
| | 0.7 | - | - | - | - | - | - | -10 | -42 | 2 | -30 | 14 | -18 | 26 | -6 | 38 | 6 | - | |
| | 0.6 | - | - | - | - | - | - | - | - | -10 | -59 | 2 | -47 | 14 | -35 | 26 | -23 | 38 | |
| | 0.5 | - | - | - | - | - | - | - | - | - | - | -24 | -89 | -12 | -77 | 0 | -65 | 12 | |
| 0.4 | - | - | - | - | - | - | - | - | - | - | - | - | -52 | -140 | -40 | -128 | -28 | | |

| tDS, tDH Derating Values for DDR2-400, DDR2-533(ALL units in 'ps', Note 1 applies to entire Table) | | | | | | | | | | | | | | | | | | | |
|--|-----|-----------------------------|-----------------|-----------------|-----------------|-----------------|-----------------|-----------------|-----------------|-----------------|-----------------|-----------------|-----------------|-----------------|-----------------|-----------------|-----------------|-----------------|-----------------|
| | | DQS, Single-ended Slew Rate | | | | | | | | | | | | | | | | | |
| | | 2.0 V/ns | | 1.5 V/ns | | 1.0 V/ns | | 0.9 V/ns | | 0.8 V/ns | | 0.7 V/ns | | 0.6 V/ns | | 0.5 V/ns | | 0.4 V/ns | |
| | | Δ tDS | Δ tDH | Δ tDS | Δ tDH | Δ tDS | Δ tDH | Δ tDS | Δ tDH | Δ tDS | Δ tDH | Δ tDS | Δ tDH | Δ tDS | Δ tDH | Δ tDS | Δ tDH | Δ tDS | Δ tDH |
| DQ Slew rate V/ns | 2.0 | 188 | 188 | 167 | 146 | 125 | 63 | - | - | - | - | - | - | - | - | - | - | - | - |
| | 1.5 | 146 | 167 | 125 | 125 | 83 | 42 | 81 | 43 | - | - | - | - | - | - | - | - | - | - |
| | 1.0 | 63 | 125 | 42 | 83 | 0 | 0 | -2 | 1 | -7 | -13 | - | - | - | - | - | - | - | - |
| | 0.9 | - | - | 31 | 69 | -11 | -14 | -13 | -13 | -18 | -27 | -29 | -45 | - | - | - | - | - | - |
| | 0.8 | - | - | - | - | -25 | -31 | -27 | -30 | -32 | -44 | -43 | -62 | -60 | -86 | - | - | - | - |
| | 0.7 | - | - | - | - | - | - | -45 | -53 | -50 | -67 | -61 | -85 | -78 | -109 | -108 | -152 | - | - |
| | 0.6 | - | - | - | - | - | - | - | - | -74 | -96 | -85 | -114 | -102 | -138 | -132 | -181 | -183 | -248 |
| | 0.5 | - | - | - | - | - | - | - | - | - | - | -128 | -156 | -145 | -180 | -175 | -223 | -226 | -288 |
| | 0.4 | - | - | - | - | - | - | - | - | - | - | - | - | -210 | -243 | -240 | -286 | -291 | -351 |

1) For all input signals the total tDS(setup time) and tDH(hold time) required is calculated by adding the datasheet value to the derating value listed in Table x.

Setup(tDS) nominal slew rate for a rising signal is defined as the slew rate between the last crossing of VREF(dc) and the first crossing of Vih(ac)min. Setup(tDS) nominal slew rate for a falling signal is defined as the slew rate between the last crossing of VREF(dc) and the first crossing of Vil(ac)max. If the actual signal is always earlier than the nominal slew rate line between shaded 'VREF(dc) to ac region', use nominal slew rate for derating value(see Fig a.) If the actual signal is later than the nominal slew rate line anywhere between shaded 'VREF(dc) to ac region', the slew rate of a tangent line to the actual signal from the ac level to dc level is used for derating value(see Fig b.)

Hold(tDH) nominal slew rate for a rising signal is defined as the slew rate between the last crossing of Vil(dc) max and the first crossing of VREF(dc). Hold (tDH) nominal slew rate for a falling signal is defined as the slew rate between the last crossing of Vih(dc) min and the first crossing of VREF(dc). If the actual signal is always later than the nominal slew rate line anywhere between shaded 'dc to VREF(dc) region', the slew rate of a tangent line to the actual signal from the dc level to VREF(dc) level is used for derating value(see Fig c.) If the actual signal is earlier than the nominal slew rate line anywhere between shaded 'dc to VREF(dc) region', the slew rate of a tangent line to the actual signal from the dc level to VREF(dc) level is used for derating value(see Fig d.)

Although for slow slew rates the total setup time might be negative(i.e. a valid input signal will not have reached VIH/IL(ac) at the time of the rising clock transition) a valid input signal is still required to complete the transition and reach VIH/IL(ac).

For slew rate in between the values listed in table x, the derating valued may obtained by linear interpolation.

These values are typically not subject to production test. They are verified by design and characterization.

If the actual signal is earlier than the nominal slew rate line anywhere between shaded 'dc to $V_{REF}(dc)$ region', the slew rate of a tangent line to the actual signal from the dc level to $V_{REF}(dc)$ level is used for derating value(see Fig d.)

Although for slow rates the total setup time might be negative(i.e. a valid input signal will not have reached $V_{IH/IL}(ac)$ at the time of the rising clock transition) a valid input signal is still required to complete the transition and reach $V_{IH/IL}(ac)$.

For slew rates in between the values listed in table, the derating values may obtained by linear interpolation.

These values are typically not subject to production test. They are verified by design and characterization.

Fig. a Illustration of nominal slew rate for tIS,tDS

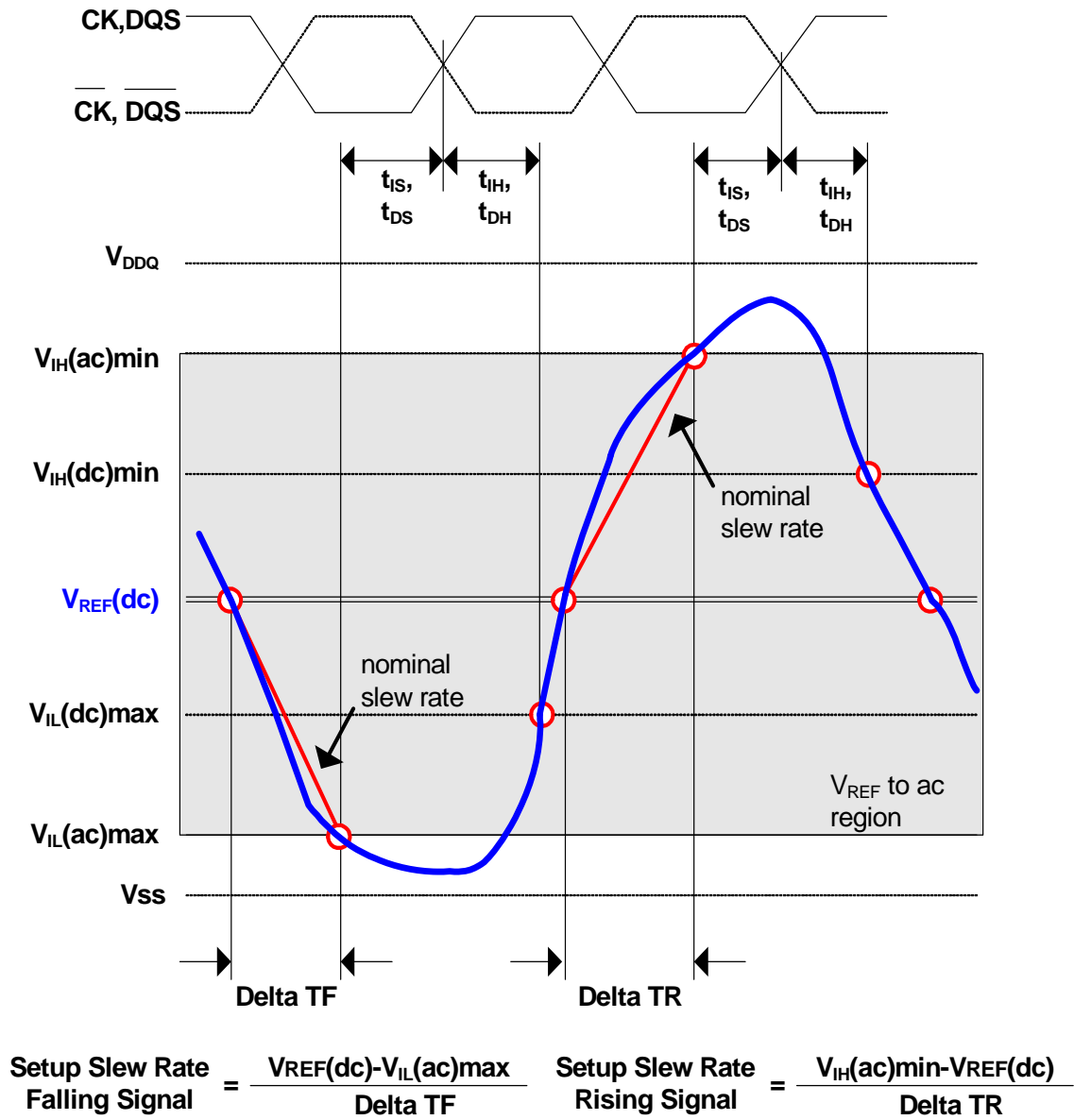
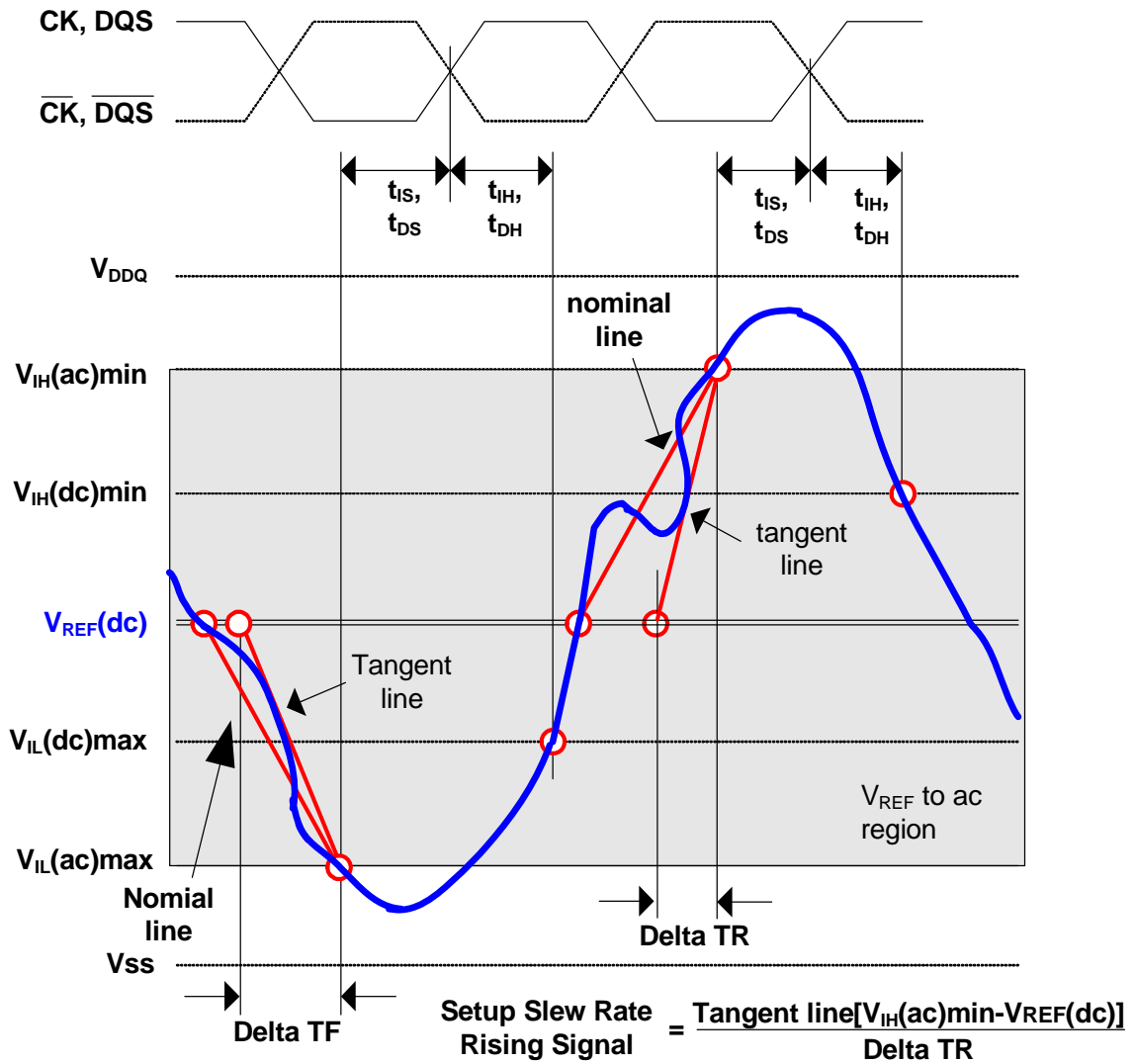


Fig. -b Illustration of tangent line for tIS,tDS



$$\text{Setup Slew Rate Falling Signal} = \frac{\text{Tangent line}[V_{REF}(dc)-V_{IL}(ac)max]}{\text{Delta TF}}$$

Fig. -c Illustration of nominal line for t_{IH}, t_{DH}

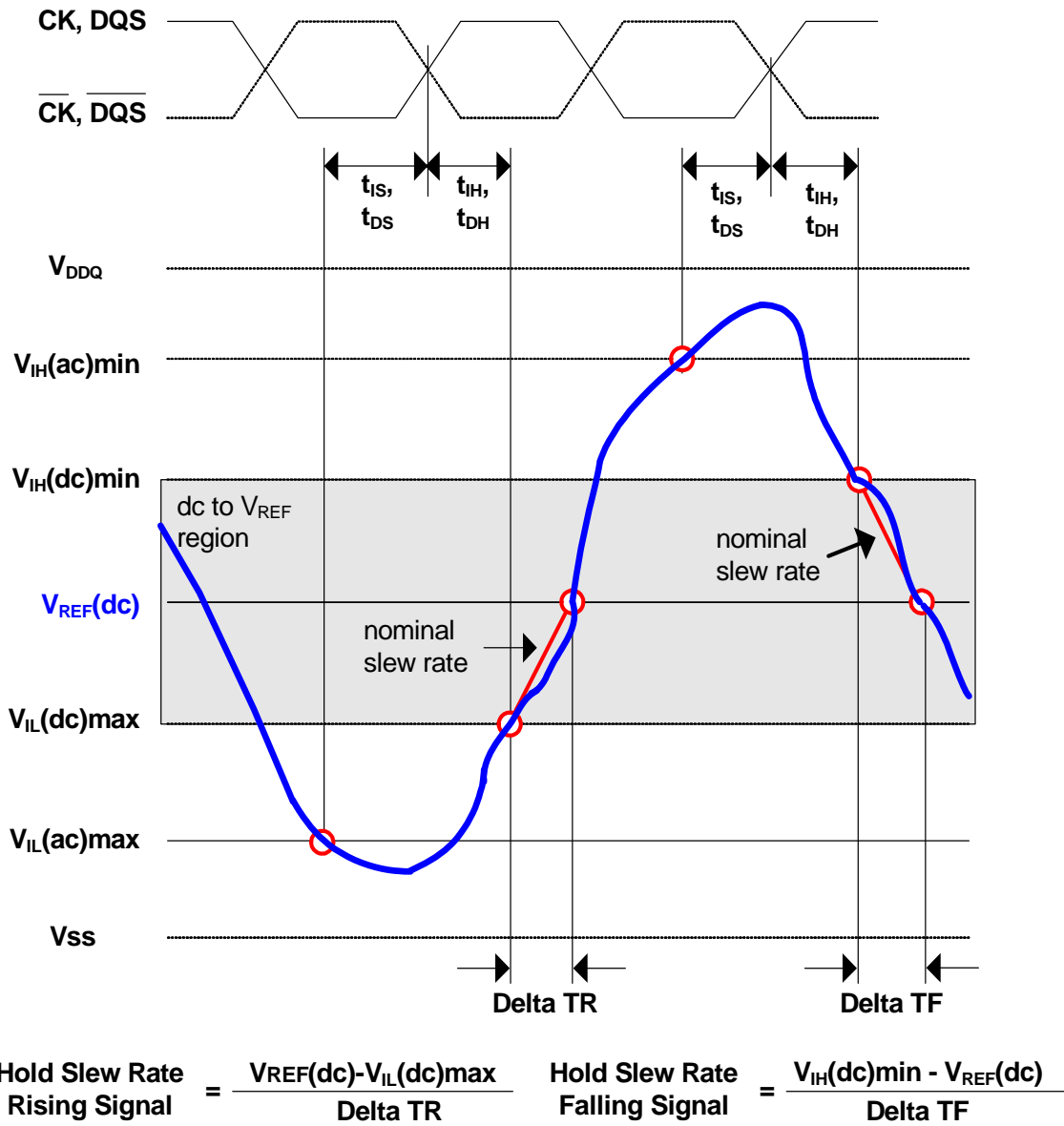
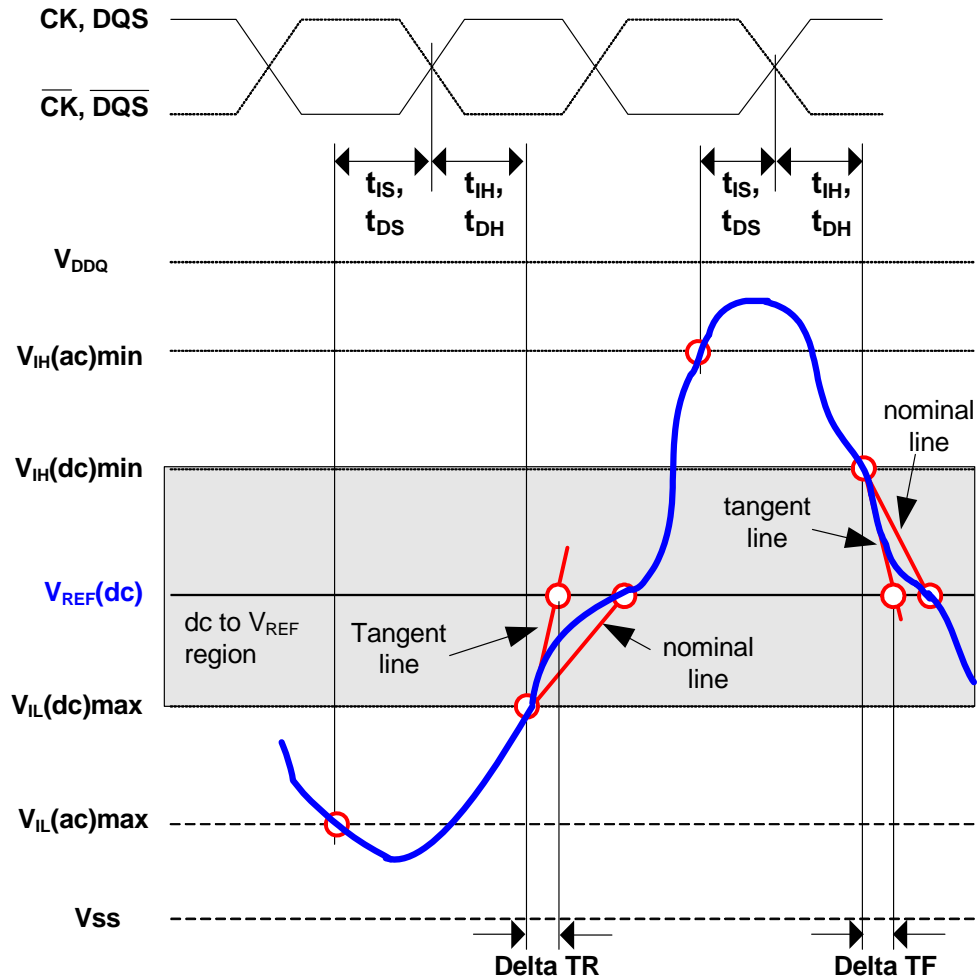


Fig. -d Illustration of tangent line for tIH , tDH



$$\text{Hold Slew Rate Rising Signal} = \frac{\text{Tangent line}[V_{REF}(dc) - V_{IL}(ac)max]}{\text{Delta TR}}$$

$$\text{Hold Slew Rate Falling Signal} = \frac{\text{Tangent line}[V_{IH}(ac)min - V_{REF}(dc)]}{\text{Delta TF}}$$

9. tIS and tIH (input setup and hold) derating

| tIS, tIH Derating Values for DDR2-400, DDR2-533 | | | | | | | | | | | |
|---|-------|---|--------------|--------------|--------------|--------------|--------------|-------|---|-------|--|
| | | CK, $\overline{\text{CK}}$ Differential Slew Rate | | | | | | Units | | Notes | |
| | | 2.0 V/ns | | 1.5 V/ns | | 1.0 V/ns | | | | | |
| | | Δ tIS | Δ tIH | Δ tIS | Δ tIH | Δ tIS | Δ tIH | | | | |
| Command / Address Slew rate(V/ns) | 4.0 | +187 | +94 | +217 | +124 | +247 | +154 | ps | 1 | | |
| | 3.5 | +179 | +89 | +209 | +119 | +239 | +149 | ps | 1 | | |
| | 3.0 | +167 | +83 | +197 | +113 | +227 | +143 | ps | 1 | | |
| | 2.5 | +150 | +75 | +180 | +105 | +210 | +135 | ps | 1 | | |
| | 2.0 | +125 | +45 | +155 | +75 | +185 | +105 | ps | 1 | | |
| | 1.5 | +83 | +21 | +113 | +51 | +143 | +81 | ps | 1 | | |
| | 1.0 | +0 | 0 | +30 | +30 | +60 | +60 | ps | 1 | | |
| | 0.9 | -11 | -14 | +19 | +16 | +49 | +46 | ps | 1 | | |
| | 0.8 | -25 | -31 | +5 | -1 | +35 | +29 | ps | 1 | | |
| | 0.7 | -43 | -54 | -13 | -24 | +17 | +6 | ps | 1 | | |
| | 0.6 | -67 | -83 | -37 | -53 | -7 | -23 | ps | 1 | | |
| | 0.5 | -110 | -125 | -80 | -95 | -80 | -65 | ps | 1 | | |
| | 0.4 | -175 | -188 | -145 | -158 | -115 | -128 | ps | 1 | | |
| | 0.3 | -285 | -292 | -255 | -262 | -225 | -232 | ps | 1 | | |
| | 0.25 | -350 | -375 | -320 | -345 | -290 | -315 | ps | 1 | | |
| | 0.2 | -525 | -500 | -495 | -470 | -465 | -440 | ps | 1 | | |
| 0.15 | -800 | -708 | -770 | -678 | -740 | -648 | ps | 1 | | | |
| 0.1 | -1450 | -1125 | -1420 | -1095 | -1390 | -1065 | ps | 1 | | | |

| tIS, tIH Derating Values for DDR2-667, DDR2-800 | | | | | | | | | | | |
|---|-------|-------------------------------|--------------|--------------|--------------|--------------|--------------|-------|---|-------|--|
| | | CK, CK Differential Slew Rate | | | | | | Units | | Notes | |
| | | 2.0 V/ns | | 1.5 V/ns | | 1.0 V/ns | | | | | |
| | | Δ tIS | Δ tIH | Δ tIS | Δ tIH | Δ tIS | Δ tIH | | | | |
| Command / Address Slew rate(V/ns) | 4.0 | +150 | +94 | +180 | +124 | +210 | +154 | ps | 1 | | |
| | 3.5 | +143 | +89 | +173 | +119 | +203 | +149 | ps | 1 | | |
| | 3.0 | +133 | +83 | +163 | +113 | +193 | +143 | ps | 1 | | |
| | 2.5 | +120 | +75 | +150 | +105 | +180 | +135 | ps | 1 | | |
| | 2.0 | +100 | +45 | +130 | +75 | +150 | +105 | ps | 1 | | |
| | 1.5 | +67 | +21 | +97 | +51 | +127 | +81 | ps | 1 | | |
| | 1.0 | 0 | 0 | +30 | +30 | +60 | +60 | ps | 1 | | |
| | 0.9 | -5 | -14 | +25 | +16 | +55 | +46 | ps | 1 | | |
| | 0.8 | -13 | -31 | +17 | -1 | +47 | +29 | ps | 1 | | |
| | 0.7 | -22 | -54 | +8 | -24 | +38 | +6 | ps | 1 | | |
| | 0.6 | -34 | -83 | -4 | -53 | +26 | -23 | ps | 1 | | |
| | 0.5 | -60 | -125 | -30 | -95 | 0 | -65 | ps | 1 | | |
| | 0.4 | -100 | -188 | -70 | -158 | -40 | -128 | ps | 1 | | |
| | 0.3 | -168 | -292 | -138 | -262 | -108 | -232 | ps | 1 | | |
| | 0.25 | -200 | -375 | -170 | -345 | -140 | -315 | ps | 1 | | |
| | 0.2 | -325 | -500 | -395 | -470 | -265 | -440 | ps | 1 | | |
| 0.15 | -517 | -708 | -487 | -678 | -457 | -648 | ps | 1 | | | |
| 0.1 | -1000 | -1125 | -970 | -1095 | -940 | -1065 | ps | 1 | | | |

1) For all input signals the total tIS(setup time) and tIH(hold) time) required is calculated by adding the data-sheet value to the derating value listed in above Table.

Setup(tIS) nominal slew rate for a rising signal is defined as the slew rate between the last crossing of $V_{REF}(dc)$ and the first crossing of $V_{IH}(ac)min$. Setup(tIS) nominal slew rate for a falling signal is defined as the slew rate between the last crossing of $V_{REF}(dc)$ and the first crossing of $V_{IL}(ac)max$. If the actual signal is always earlier than the nominal slew rate for line between shaded ' $V_{REF}(dc)$ to ac region', use nominal slew rate for derating value(see fig a.) If the actual signal is later than the nominal slew rate line anywhere between shaded ' $V_{REF}(dc)$ to ac region', the slew rate of a tangent line to the actual signal from the ac level to dc level is used for derating value(see Fig b.)

Hold(tIH) nominal slew rate for a rising signal is defined as the slew rate between the last crossing of $V_{IL}(dc)max$ and the first crossing of $V_{REF}(dc)$. Hold(tIH) nominal slew rate for a falling signal is defined as the slew rate between the last crossing of $V_{REF}(dc)$. If the actual signal is always later than the nominal slew rate line between shaded ' dc to $V_{REF}(dc)$ region', use nominal slew rate for derating value(see Fig.c) If the actual signal is earlier than the nominal slew rate line anywhere between shaded ' dc to $V_{REF}(dc)$ region', the slew rate of a tangent line to the actual signal from the dc level to $V_{REF}(dc)$ level is used for derating value(see Fig d.)

Although for slow rates the total setup time might be negative(i.e. a valid input signal will not have reached $V_{IH/IL}(ac)$ at the time of the rising clock transition) a valid input signal is still required to complete the transition and reach $V_{IH/IL}(ac)$.

For slew rates in between the values listed in table, the derating values may obtained by linear interpolation. These values are typically not subject to production test. They are verified by design and characterization.

10. The maximum limit for this parameter is not a device limit. The device will operate with a greater value for this parameter, but system performance (bus turnaround) will degrade accordingly.

11. MIN (t CL, t CH) refers to the smaller of the actual clock LOW time and the actual clock HIGH time as provided to the device (i.e. this value can be greater than the minimum specification limits for t CL and t CH). For example, t CL and t CH are = 50% of the period, less the half period jitter (t JIT(HP)) of the clock source, and less the half period jitter due to crosstalk (t JIT(crosstalk)) into the clock traces.

12. $t_{QH} = t_{HP} - t_{QHS}$, where:

tHP = minimum half clock period for any given cycle and is defined by clock HIGH or clock LOW (tCH, tCL). tQHS accounts for:

- 1) The pulse duration distortion of on-chip clock circuits; and
- 2) The worst case push-out of DQS on one transition followed by the worst case pull-in of DQ on the next transition, both of which are, separately, due to data pin skew and output pattern effects, and p-channel to n-channel variation of the output drivers.

13. tDQSQ: Consists of data pin skew and output pattern effects, and p-channel to n-channel variation of the output drivers as well as output slew rate mismatch between \overline{DQS} and associated DQ in any given cycle.

14. $t_{DAL} = (nWR) + (t_{RP}/t_{CK})$:

For each of the terms above, if not already an integer, round to the next highest integer. tCK refers to the application clock period. nWR refers to the tWR parameter stored in the MR.

Example: For DDR533 at tCK = 3.75 ns with tWR programmed to 4 clocks. $t_{DAL} = 4 + (15 \text{ ns} / 3.75 \text{ ns})$
 $\text{clocks} = 4 + (4)\text{clocks} = 8\text{clocks}$.

15. The clock frequency is allowed to change during self-refresh mode or precharge power-down mode. In case of clock frequency change during precharge power-down, a specific procedure is required as described in section 2.9.

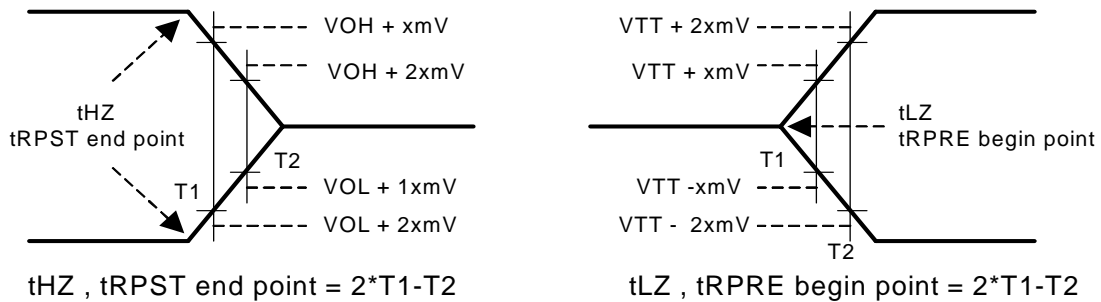
16. ODT turn on time min is when the device leaves high impedance and ODT resistance begins to turn on. ODT turn on time max is when the ODT resistance is fully on. Both are measured from tAOND.

17. ODT turn off time min is when the device starts to turn off ODT resistance.

ODT turn off time max is when the bus is in high impedance. Both are measured from tAOFD.

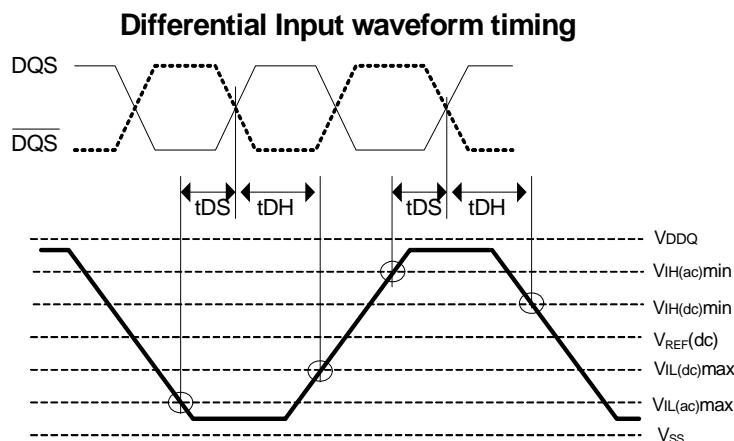
18. tHZ and tLZ transitions occur in the same access time as valid data transitions. These parameters are referenced to a specific voltage level which specifies when the device output is no longer driving (tHZ), or begins driving (tLZ). Below figure shows a method to calculate the point when device is no longer driving (tHZ), or begins driving (tLZ) by measuring the signal at two different voltages. The actual voltage measurement points are not critical as long as the calculation is consistent.

19. tRPST end point and tRPRE begin point are not referenced to a specific voltage level but specify when the device output is no longer driving (tRPST), or begins driving (tRPRE). Below figure shows a method to calculate these points when the device is no longer driving (tRPST), or begins driving (tRPRE). Below Figure shows a method to calculate these points when the device is no longer driving (tRPST), or begins driving (tRPRE) by measuring the signal at two different voltages. The actual voltage measurement points are not critical as long as the calculation is consistent.



20. Input waveform timing with differential data strobe enabled MR[bit10] = 0, is referenced from the input signal crossing at the $V_{IH}(ac)$ level to the differential data strobe crosspoint for a rising signal, and from the input signal crossing at the $V_{IL}(ac)$ level to the differential data strobe crosspoint for a falling signal applied to the device under test.

21. Input waveform timing with differential data strobe enabled MR[bit10] = 0, is referenced from the input signal crossing at the $V_{IH}(dc)$ level to the differential data strobe crosspoint for a rising signal and $V_{IL}(dc)$ to the differential data strobe crosspoint for a falling signal applied to the device under test.



22. Input waveform timing is referenced from the input signal crossing at the $V_{IH}(ac)$ level for a rising signal and $V_{IL}(ac)$ for a falling signal applied to the device under test.
23. Input waveform timing is referenced from the input signal crossing at the $V_{IL}(dc)$ level for a rising signal and $V_{IH}(dc)$ for a falling signal applied to the device under test.
24. tWTR is at least two clocks (2 x tCK or 2 x nCK) independent of operation frequency.
25. Input waveform timing with single-ended data strobe enabled MR[bit10] = 1, is referenced from the input signal crossing at the $V_{IH}(ac)$ level to the single-ended data strobe crossing $V_{IH/L}(dc)$ at the start of its transition for a rising signal, and from the input signal crossing at the $V_{IL}(ac)$ level to the single-ended data strobe crossing $V_{IH/L}(dc)$ at the start of its transition for a falling signal applied to the device under test. The DQS signal must be monotonic between $V_{il}(dc)_{max}$ and $V_{ih}(dc)_{min}$.
26. Input waveform timing with single-ended data strobe enabled MR[bit10] = 1, is referenced from the input signal crossing at the $V_{IH}(dc)$ level to the single-ended data strobe crossing $V_{IH/L}(ac)$ at the end of its transition for a rising signal, and from the input signal crossing at the $V_{IL}(dc)$ level to the single-ended data strobe crossing $V_{IH/L}(ac)$ at the end of its transition for a falling signal applied to the device under test. The DQS signal must be monotonic between $V_{il}(dc)_{max}$ and $V_{ih}(dc)_{min}$.
27. tCKE_{min} of 3 clocks means CKE must be registered on three consecutive positive clock edges. CKE must remain at the valid input level the entire time it takes to achieve the 3 clocks of registration. Thus, after any CKE transition, CKE may not transition from its valid level during the time period of tIS + 2 x tCK + tIH.
28. If tDS or tDH is violated, data corruption may occur and the data must be re-written with valid data before a valid READ can be executed.
29. These parameters are measured from a command/address signal (CKE, CS, RAS, CAS, WE, ODT, BA0, A0, A1, etc.) transition edge to its respective clock signal (CK/CK) crossing. The spec values are not affected by the amount of clock jitter applied (i.e. tJIT (per), tJIT (cc), etc.), as the setup and hold are relative to the clock signal crossing that latches the command/address. That is, these parameters should be met whether clock jitter is present or not.
30. These parameters are measured from a data strobe signal ((L/U/R)DQS/DQS) crossing to its respective clock signal (CK/CK) crossing. The spec values are not affected by the amount of clock jitter applied (i.e. tJIT (per), tJIT (cc), etc.), as these are relative to the clock signal crossing. That is, these parameters should be met whether clock jitter is present or not.
31. These parameters are measured from a data signal ((L/U) DM, (L/U) DQ0, (L/U) DQ1, etc.) transition edge to its respective data strobe signal ((L/U/R)DQS/DQS) crossing.
32. For these parameters, the DDR2 SDRAM device is characterized and verified to support

$t_{nPARAM} = RU \{t_{PARAM} / t_{CK} (avg)\}$, which is in clock cycles, assuming all input clock jitter specifications are satisfied.

For example, the device will support $t_{nRP} = RU \{t_{RP} / t_{CK} (avg)\}$, which is in clock cycles, if all input clock jitter specifications are met. This means: For DDR2-667 5-5-5, of which $t_{RP} = 15ns$, the device will support $t_{nRP} = RU \{t_{RP} / t_{CK} (avg)\} = 5$, i.e. as long as the input clock jitter specifications are met, Precharge command at T_m and Active command at T_{m+5} is valid even if $(T_{m+5} - T_m)$ is less than 15ns due to input clock jitter.

33. $t_{DAL} [nCK] = WR [nCK] + t_{nRP} [nCK] = WR + RU \{t_{RP} [ps] / t_{CK} (avg) [ps]\}$, where WR is the value programmed in the mode register set.

34. New units, 'tCK (avg)' and 'nCK', are introduced in DDR2-667 and DDR2-800.

Unit 'tCK (avg)' represents the actual tCK (avg) of the input clock under operation.

Unit 'nCK', represents one clock cycle of the input clock, counting the actual clock edges.

Note that in DDR2-400 and DDR2-533, 'tCK', is used for both concepts.

ex) $t_{XP} = 2 [nCK]$ means; if Power Down exit is registered at T_m , an Active command may be registered at T_{m+2} , even if $(T_{m+2} - T_m)$ is $2 \times t_{CK} (avg) + t_{ERR(2per),min}$.

35. Input clock jitter spec parameter. These parameters and the ones in the table below are referred to as 'input clock jitter spec parameters' and these parameters apply to DDR2-667 and DDR2-800 only. The jitter specified is a random jitter meeting a Gaussian distribution.

| Parameter | Symbol | DDR2-667 | | DDR2-800 | | Units | Notes |
|--|-----------------|----------|-----|----------|-----|-------|-------|
| | | min | max | min | max | | |
| Clock period jitter | tJIT (per) | -125 | 125 | -100 | 100 | ps | 35 |
| Clock period jitter during DLL locking period | tJIT (per, lck) | -100 | 100 | -80 | 80 | ps | 35 |
| Cycle to cycle clock period jitter | tJIT (cc) | -250 | 250 | -200 | 200 | ps | 35 |
| Cycle to cycle clock period jitter during DLL locking period | tJIT (cc, lck) | -200 | 200 | -160 | 160 | ps | 35 |
| Cumulative error across 2 cycles | tERR(2per) | -175 | 175 | -150 | 150 | ps | 35 |
| Cumulative error across 3 cycles | tERR(3per) | -225 | 225 | -175 | 175 | ps | 35 |
| Cumulative error across 4 cycles | tERR(4per) | -250 | 250 | -200 | 200 | ps | 35 |
| Cumulative error across 5 cycles | tERR(5per) | -250 | 250 | -200 | 200 | ps | 35 |
| Cumulative error across n cycles, n=6...10, inclusive | tERR(6~10per) | -350 | 350 | -300 | 300 | ps | 35 |
| Cumulative error across n cycles, n=11...50, inclusive | tERR(11~50per) | -450 | 450 | -450 | 450 | ps | 35 |
| Duty cycle jitter | tJIT (duty) | -125 | 125 | -100 | 100 | ps | 35 |

36. These parameters are specified per their average values, however it is understood that the following relationship between the average timing and the absolute instantaneous timing holds at all times. (Min and max of SPEC values are to be used for calculations in the table below.)

| Parameter | Symbol | min | max | Units |
|---------------------------------|-----------|---|---|-------|
| Absolute clock period | tCK (abs) | tCK (avg), min + tJIT (per), min | tCK (avg), max + tJIT (per), max | ps |
| Absolute clock HIGH pulse width | tCH (abs) | tCH (avg), min * tCK (avg), min + tJIT (per), min | tCH (avg), max * tCK (avg), max + tJIT (per), max | ps |
| Absolute clock LOW pulse width | tCL (abs) | tCL (avg), min * tCK (avg), min + tJIT (per), min | tCL (avg), max * tCK (avg), max + tJIT (per), max | ps |

Example: For DDR2-667, tCH (abs), min = (0.48 x 3000 ps) - 125 ps = 1315 ps

37. tHP is the minimum of the absolute half period of the actual input clock. tHP is an input parameter but not an input specification parameter. It is used in conjunction with tQHS to derive the DRAM output timing tQH.

The value to be used for tQH calculation is determined by the following equation;

$$tHP = \text{Min} (tCH (\text{abs}), tCL (\text{abs})),$$

where,

tCH (abs) is the minimum of the actual instantaneous clock HIGH time;

tCL (abs) is the minimum of the actual instantaneous clock LOW time;

38. tQHS accounts for:

- 1) The pulse duration distortion of on-chip clock circuits, which represents how well the actual tHP at the input is transferred to the output; and
- 2) The worst case push-out of DQS on one transition followed by the worst case pull-in of DQ on the next transition, both of which are independent of each other, due to data pin skew, output pattern effects, and p-channel to n-channel variation of the output drivers

39. $tQH = tHP - tQHS$, where:

tHP is the minimum of the absolute half period of the actual input clock; and

tQHS is the specification value under the max column.

{The less half-pulse width distortion present, the larger the tQH value is; and the larger the valid data eye will be.}

Examples:

- 1) If the system provides tHP of 1315 ps into a DDR2-667 SDRAM, the DRAM provides tQH of 975 ps minimum.
- 2) If the system provides tHP of 1420 ps into a DDR2-667 SDRAM, the DRAM provides tQH of 1080 ps minimum.

40. When the device is operated with input clock jitter, this parameter needs to be derated by the actual tERR(6-10per) of the input clock. (output deratings are relative to the SDRAM input clock.)

For example, if the measured jitter into a DDR2-667 SDRAM has tERR(6-10per),min = - 272 ps and

tERR(6-10per), max = + 293 ps, then tDQSCK, min (derated) = tDQSCK, min - tERR(6-10per),max = -

400 ps - 293 ps = - 693 ps and tDQSCK, max (derated) = tDQSCK, max - tERR(6-10per),min = 400 ps + 272 ps = + 672 ps. Similarly, tLZ (DQ) for DDR2-667 derates to tLZ (DQ), min (derated) = - 900 ps - 293 ps = - 1193 ps and tLZ (DQ), max (derated) = 450 ps + 272 ps = + 722 ps. (Caution on the min/max usage!)

41. When the device is operated with input clock jitter, this parameter needs to be derated by the actual tJIT (per) of the input clock. (output deratings are relative to the SDRAM input clock.)

For example, if the measured jitter into a DDR2-667 SDRAM has tJIT (per), min = - 72 ps and tJIT (per), max = + 93 ps, then tRPRE, min (derated) = tRPRE, min + tJIT (per), min = 0.9 x tCK (avg) - 72 ps = + 2178 ps and tRPRE, max (derated) = tRPRE, max + tJIT (per), max = 1.1 x tCK (avg) + 93 ps = + 2843 ps. (Caution on the min/max usage!)

42. When the device is operated with input clock jitter, this parameter needs to be derated by the actual tJIT (duty) of the input clock. (output deratings are relative to the SDRAM input clock.)

For example, if the measured jitter into a DDR2-667 SDRAM has tJIT (duty), min = - 72 ps and tJIT (duty), max = + 93 ps, then tRPST, min (derated) = tRPST, min + tJIT (duty), min = 0.4 x tCK (avg) - 72 ps = + 928 ps and tRPST, max (derated) = tRPST, max + tJIT (duty), max = 0.6 x tCK (avg) + 93 ps = + 1592 ps. (Caution on the min/max usage!)

43. When the device is operated with input clock jitter, this parameter needs to be derated by {- tJIT (duty), max - tERR(6-10per),max} and {- tJIT (duty), min - tERR(6-10per),min} of the actual input clock.(output deratings are relative to the SDRAM input clock.)

For example, if the measured jitter into a DDR2-667 SDRAM has tERR(6-10per),min = - 272 ps, tERR(6-10per), max = + 293 ps, tJIT (duty), min = - 106 ps and tJIT (duty), max = + 94 ps, then tAOF, min (derated) = tAOF, min + {- tJIT (duty), max - tERR(6-10per),max} = - 450 ps + {- 94 ps - 293 ps} = - 837 ps and tAOF, max (derated) = tAOF, max + {- tJIT (duty), min - tERR(6-10per),min} = 1050 ps + {106 ps + 272 ps} = + 1428 ps. (Caution on the min/max usage!)

44. For tAOFD of DDR2-400/533, the 1/2 clock of tCK in the 2.5 x tCK assumes a tCH, input clock HIGH pulse width of 0.5 relative to tCK. tAOF, min and tAOF, max should each be derated by the same amount as the actual amount of tCH offset present at the DRAM input with respect to 0.5. For example, if an input clock has a worst case tCH of 0.45, the tAOF, min should be derated by subtracting 0.05 x tCK from it, whereas if an input clock has a worst case tCH of 0.55, the tAOF, max should be derated by adding 0.05 x tCK to it. Therefore, we have;

$$tAOF, \text{ min (derated) } = tAC, \text{ min} - [0.5 - \text{Min}(0.5, tCH, \text{ min})] \times tCK$$

$$tAOF, \text{ max (derated) } = tAC, \text{ max} + 0.6 + [\text{Max}(0.5, tCH, \text{ max}) - 0.5] \times tCK$$

or

$$tAOF, \text{ min (derated) } = \text{Min}(tAC, \text{ min}, tAC, \text{ min} - [0.5 - tCH, \text{ min}] \times tCK)$$

$$tAOF, \text{ max (derated) } = 0.6 + \text{Max}(tAC, \text{ max}, tAC, \text{ max} + [tCH, \text{ max} - 0.5] \times tCK)$$

where tCH, min and tCH, max are the minimum and maximum of tCH actually measured at the DRAM input balls.

45. For tAOFD of DDR2-667/800, the 1/2 clock of nCK in the 2.5 x nCK assumes a tCH (avg), average input clock HIGH pulse width of 0.5 relative to tCK (avg). tAOF, min and tAOF, max should each be derated by the same amount as the actual amount of tCH (avg) offset present at the DRAM input with respect

to 0.5. For example, if an input clock has a worst case tCH (avg) of 0.48, the tAOF, min should be derated by subtracting 0.02 x tCK (avg) from it, whereas if an input clock has a worst case tCH (avg) of 0.52, the tAOF, max should be derated by adding 0.02 x tCK (avg) to it. Therefore, we have;

$$tAOF, \text{ min (derated)} = tAC, \text{ min} - [0.5 - \text{Min}(0.5, tCH (\text{avg}), \text{ min})] \times tCK (\text{avg})$$

$$tAOF, \text{ max (derated)} = tAC, \text{ max} + 0.6 + [\text{Max}(0.5, tCH (\text{avg}), \text{ max}) - 0.5] \times tCK (\text{avg})$$

or

$$tAOF, \text{ min (derated)} = \text{Min} (tAC, \text{ min}, tAC, \text{ min} - [0.5 - tCH (\text{avg}), \text{ min}] \times tCK (\text{avg}))$$

$$tAOF, \text{ max (derated)} = 0.6 + \text{Max} (tAC, \text{ max}, tAC, \text{ max} + [tCH (\text{avg}), \text{ max} - 0.5] \times tCK (\text{avg}))$$

where tCH (avg), min and tCH (avg), max are the minimum and maximum of tCH (avg) actually measured at the DRAM input balls.

Note that these deratings are in addition to the tAOF derating per input clock jitter, i.e. tJIT (duty) and tERR(6-10per). However tAC values used in the equations shown above are from the timing parameter table and are not derated. Thus the final derated values for tAOF are;

$$tAOF, \text{ min (derated _ final)} = tAOF, \text{ min (derated)} + \{- tJIT (\text{duty}), \text{ max} - tERR(6-10per), \text{ max}\}$$

$$tAOF, \text{ max (derated _ final)} = tAOF, \text{ max (derated)} + \{- tJIT (\text{duty}), \text{ min} - tERR(6-10per), \text{ min}\}$$

256Mb DDR2 SDRAM

DDR2-1066

For purposes of IDD testing, the following parameters are to be utilized

| Speed Bin (CL-tRCD-tRP) | DDR2-1066 | Units |
|----------------------------|-----------|-------|
| | 7-7-7 | |
| CL(IDD) | 7 | tCK |
| tRCD(IDD) | 13.125 | ns |
| tRC(IDD) | 58.125 | ns |
| tRRD(IDD)-x16 | 10 | ns |
| tFAW-x16 | 45 | ns |
| tCK(IDD) | 1.875 | ns |
| tRASmin(IDD) | 45 | ns |
| tRASmax(IDD) | 70000 | ns |
| tRP(IDD) | 13.125 | ns |
| tRFC(IDD)-256Mb | 75 | ns |
| tRFC(IDD)-512Mb | 105 | ns |
| tRFC(IDD)-1Gb | 127.5 | ns |

Detailed IDD7

The detailed timings are shown below for IDD7. Changes will be required if timing parameter changes are made to the specification.

Legend: A = Active; RA = Read with Autoprecharge; D = Deselect

IDD7: Operating Current: All Bank Interleave Read operation

All banks are being interleaved at minimum tRC(IDD) without violating tRRD(IDD) using a burst length of 4. Control and address bus inputs are STABLE during DESELECTs. IOU_T = 0mA

Timing Patterns for 4 bank devices x16

-DDR2-1066 7-7-7: A0 RA0 D D D D A1 RA1 D D D D A2 RA2 D D D D A3 RA3 D D D D D D D D D D

3.5. Input/Output Capacitance

| Parameter | Symbol | DDR2- 1066 | | Units |
|---|--------|------------|------|-------|
| | | Min | Max | |
| Input capacitance, CK and \overline{CK} | CCK | 1.0 | 2.0 | pF |
| Input capacitance delta, CK and \overline{CK} | CDCK | x | 0.25 | pF |
| Input capacitance, all other input-only pins | CI | 1.0 | 1.75 | pF |
| Input capacitance delta, all other input-only pins | CDI | x | 0.25 | pF |
| Input/output capacitance, DQ, DM, DQS, \overline{DQS} | CIO | 2.5 | 3.5 | pF |
| Input/output capacitance delta, DQ, DM, DQS, \overline{DQS} | CDIO | x | 0.5 | pF |

4. Electrical Characteristics & AC Timing Specification

($0\text{ }^{\circ}\text{C} \leq T_{\text{CASE}} \leq 95\text{ }^{\circ}\text{C}$; $V_{\text{DDQ}} = 1.8\text{ V} \pm 0.1\text{V}$; $V_{\text{DD}} = 1.8\text{V} \pm 0.1\text{V}$)

Refresh Parameters by Device Density

| Parameter | Symbol | 256Mb | 512Mb | 1Gb | 2Gb | 4Gb | Units | |
|---|--------|--|-------|-------|-----|-------|-------|----|
| Refresh to Active /Refresh command time | tRFC | 75 | 105 | 127.5 | 195 | 327.5 | ns | |
| Average periodic refresh interval | tREFI | $0\text{ }^{\circ}\text{C} \leq T_{\text{CASE}} \leq 85\text{ }^{\circ}\text{C}$ | 7.8 | 7.8 | 7.8 | 7.8 | 7.8 | us |
| | | $85\text{ }^{\circ}\text{C} < T_{\text{CASE}} \leq 95\text{ }^{\circ}\text{C}$ | 3.9 | 3.9 | 3.9 | 3.9 | 3.9 | us |

DDR2 SDRAM speed bins and tRCD, tRP and tRC for corresponding bin

| Speed | DDR2-1066 | Units |
|------------------------------------|---------------------|-------|
| Bin(CL-tRCD-tRP) | 7-7-7 | |
| Parameter | min | |
| CAS Latency | 7 | tCK |
| tRCD : ACT to RD(A) or WT(A) Delay | 13.125 | ns |
| tRP : PRE to ACT Delay | 13.125 | ns |
| tRAS : ACT to PRE Delay | 45 min / 70000 max | ns |
| tRC : ACT to ACT Delay | 58.125 | ns |
| tCK(avg) @ CL=7 | 1.875 min / 7.5 max | ns |

Timing Parameters by Speed Grade

(Refer to notes for information related to this table at the following pages of this table)

| Parameter | Symbol | DDR2-1066 | | Unit | Note |
|--|---------------|------------------|---------|----------|-------------------------|
| | | min | max | | |
| DQ output access time from CK/ $\overline{\text{CK}}$ | tAC | -350 | +350 | ps | 35 |
| DQS output access time from CK/ $\overline{\text{CK}}$ | tDQSCK | -325 | +325 | ps | 35 |
| CK high-level width | tCH | 0.48 | 0.52 | tCK | 30, 31 |
| CK low-level width | tCL | 0.48 | 0.52 | tCK | 30, 31 |
| CK half period | tHP | min (tCL,tCH) | - | ps | 32 |
| Clock cycle time, CL=x | tCK | 1875 | 7500 | ps | 30, 31 |
| DQ and DM input setup time (differential strobe) | tDS (base) | 0 | - | ps | 6,7,8, 17, 23, 26 |
| DQ and DM input hold time (differential strobe) | tDH (base) | 75 | - | ps | 6,7,8, 16, 23, 26 |
| Control & Address input pulse width for each input | tIPW | 0.6 | - | tCK(avg) | |
| DQ and DM input pulse width for each input | tDIPW | 0.35 | - | tCK(avg) | |
| Data-out high-impedance time from CK/ $\overline{\text{CK}}$ | tHZ | - | tAC max | ps | 15, 35 |
| DQS low-impedance time from CK/ $\overline{\text{CK}}$ | tLZ(DQS) | tAC min | tAC max | ps | 15, 35 |
| DQ low-impedance time from CK/ $\overline{\text{CK}}$ | tLZ(DQ) | 2*tAC min | tAC max | ps | 15, 35 |
| DQS-DQ skew for DQS and associated DQ signals | tDQSQ | - | 175 | ps | 11 |
| DQ hold skew factor | tQHS | - | 250 | ps | 33 |
| DQ/DQS output hold time from DQS | tQH | tHP - tQHS | - | ps | 34 |
| First DQS latching transition to associated clock edge | tDQSS | -0.25 | + 0.25 | tCK(avg) | 25 |
| DQS input high pulse width | tDQSH | 0.35 | - | tCK(avg) | |
| DQS input low pulse width | tDQSL | 0.35 | - | tCK(avg) | |
| DQS falling edge to CK setup time | tDSS | 0.2 | - | tCK(avg) | 25 |
| DQS falling edge hold time from CK | tDSH | 0.2 | - | tCK(avg) | 25 |
| Mode register set command cycle time | tMRD | 2 | - | tCK | |
| Write postamble | tWPST | 0.4 | 0.6 | tCK(avg) | 10 |
| Write preamble | tWPRE | 0.35 | - | tCK(avg) | |
| Address and control input setup time | tIS(base) | 125 | - | ps | 5,7,9, 19, 24 |
| Address and control input hold time | tIH(base) | 200 | - | ps | 5,7,9, 20, 24 |

-Continue-

(Refer to notes for information related to this table at the following pages of this table)

| Parameter | Symbol | DDR2-1066 | | Unit | Note |
|---|--------------------|---|---|----------|------------|
| | | min | max | | |
| Read preamble | tRPRE | 0.9 | 1.1 | tCK(avg) | 16, 36 |
| Read postamble | tRPST | 0.4 | 0.6 | tCK(avg) | 16, 37 |
| Active to active command period for 2KB page size products | tRRD | 10 | - | ns | 4, 27 |
| Four Active Window for 2KB page size products | tFAW | 45 | - | ns | 27 |
| CAS to CAS command delay | tCCD | 2 | | tCK | |
| Write recovery time | tWR | 15 | - | ns | 27 |
| Auto precharge write recovery + precharge time | tDAL | WR+tRP | - | tCK | 28 |
| Internal write to read command delay | tWTR | 7.5 | - | ns | 21, 27 |
| Internal read to precharge command delay | tRTP | 7.5 | | ns | 3, 27 |
| Exit self refresh to a non-read command | tXSNR | tRFC + 10 | | ns | 27 |
| Exit self refresh to a read command | tXSRD | 200 | - | tCK | |
| Exit precharge power down to any non-read command | tXP | 3 | - | tCK | |
| Exit active power down to read command | tXARD | 3 | | tCK | 1 |
| Exit active power down to read command (Slow exit, Lower power) | tXARDS | 10 - AL | | tCK | 1, 2 |
| CKE minimum pulse width (high and low pulse width) | t _{CKE} | 3 | | tCK | 22 |
| ODT turn-on delay | t _{AOND} | 2 | 2 | tCK | 13 |
| ODT turn-on | t _{AON} | t _{AC} (min) | t _{AC} (max) + 2.575 | ns | 6, 13, 35 |
| ODT turn-on(Power-Down mode) | t _{AONPD} | t _{AC} (min)+2 | 3t _{CK} + t _{AC} (max)+1 | ns | |
| ODT turn-off delay | t _{AOFD} | 2.5 | 2.5 | tCK | 14, 39 |
| ODT turn-off | t _{AOF} | t _{AC} (min) | t _{AC} (max)+ 0.6 | ns | 14, 38, 39 |
| ODT turn-off (Power-Down mode) | t _{AOFPD} | t _{AC} (min)+2 | 2.5t _{CK} avg+ t _{AC} (max)+1 | ns | |
| ODT to power down entry latency | t _{ANPD} | 4 | | tCK | |
| ODT power down exit latency | t _{AXPD} | 11 | | tCK | |
| OCD drive mode output delay | t _{OIT} | 0 | 12 | ns | 27 |
| Minimum time clocks remains ON after CKE asynchronously drops LOW | t _{Delay} | t _{IS} +t _{CK} (avg) +t _{IH} | | ns | 12 |

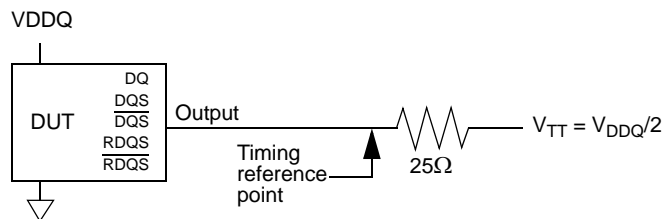
General notes, which may apply for all AC parameters

1. Slew Rate Measurement Levels

- a. Output slew rate for falling and rising edges is measured between $V_{TT} - 250\text{ mV}$ and $V_{TT} + 250\text{ mV}$ for single ended signals.
For differential signals (e.g. $DQS - \overline{DQS}$) output slew rate is measured between $DQS - \overline{DQS} = -500\text{ mV}$ and $DQS - \overline{DQS} = +500\text{ mV}$. Output slew rate is guaranteed by design, but is not necessarily tested on each device.
- b. Input slew rate for single ended signals is measured from dc-level to ac-level: from $V_{IL}(\text{dc})$ to $V_{IH}(\text{ac})$ for rising edges and from $V_{IH}(\text{dc})$ and $V_{IL}(\text{ac})$ for falling edges.
For differential signals (e.g. $CK - \overline{CK}$) slew rate for rising edges is measured from $CK - \overline{CK} = -250\text{ mV}$ to $CK - \overline{CK} = +500\text{ mV}$ (250mV to -500 mV for falling edges).
- c. VID is the magnitude of the difference between the input voltage on CK and the input voltage on \overline{CK} , or between DQS and \overline{DQS} for differential strobe.

2. DDR2 SDRAM AC timing reference load

The following figure represents the timing reference load used in defining the relevant timing parameters of the part. It is not intended to be either a precise representation of the typical system environment nor a depiction of the actual load presented by a production tester. System designers will use IBIS or other simulation tools to correlate the timing reference load to a system environment. Manufacturers will correlate to their production test conditions (generally a coaxial transmission line terminated at the tester electronics).

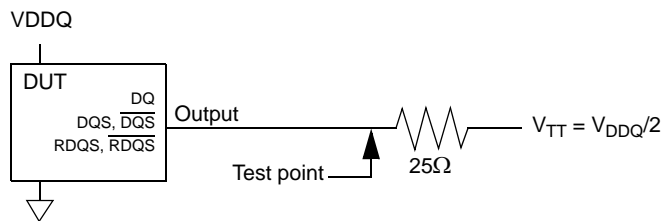


AC Timing Reference Load

The output timing reference voltage level for single ended signals is the crosspoint with V_{TT} . The output timing reference voltage level for differential signals is the crosspoint of the true (e.g. DQS) and the complement (e.g. \overline{DQS}) signal.

3. DDR2 SDRAM output slew rate test load

Output slew rate is characterized under the test conditions as shown below.



Slew Rate Test Load

4. Differential data strobe

DDR2 SDRAM pin timings are specified for either single ended mode or differential mode depending on the setting of the EMRS "Enable DQS" mode bit; timing advantages of differential mode are realized in system design. The method by which the DDR2 SDRAM pin timings are measured is mode dependent. In single

VREF. In differential mode, these timing relationships are measured relative to the crosspoint of DQS and its complement, \overline{DQS} . This distinction in timing methods is guaranteed by design and characterization. Note that when differential data strobe mode is disabled via the EMRS, the complementary pin, \overline{DQS} , must be tied externally to VSS through a 20 ohm to 10 K ohm resistor to insure proper operation.

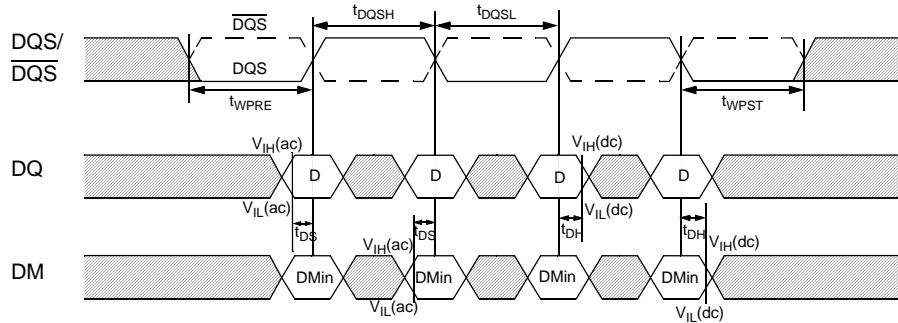


Figure -- Data input (write) timing

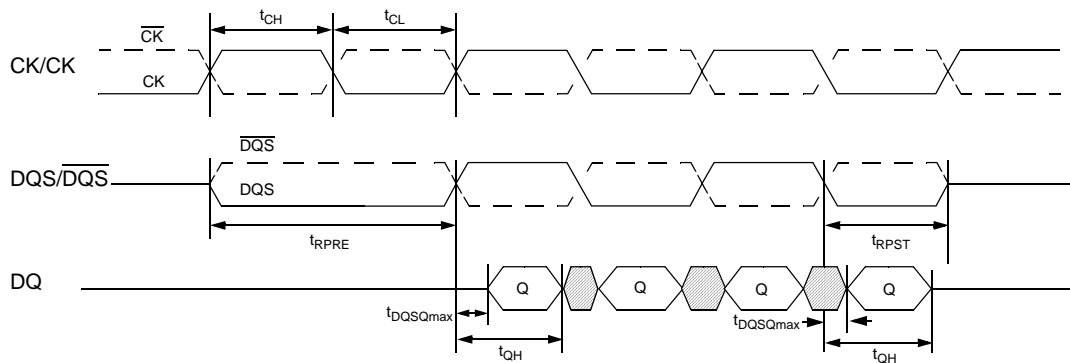


Figure -- Data output (read) timing

5. AC timings are for linear signal transitions. See System Derating for other signal transitions.
6. All voltages referenced to VSS.
7. These parameters guarantee device behavior, but they are not necessarily tested on each device. They may be guaranteed by device design or tester correlation.
8. Tests for AC timing, IDD, and electrical (AC and DC) characteristics, may be conducted at nominal reference/supply voltage levels, but the related specifications and device operation are guaranteed for the full voltage range specified.

Specific Notes for dedicated AC parameters

1. User can choose which active power down exit timing to use via MRS(bit 12). tXARD is expected to be used for fast active power down exit timing. tXARDS is expected to be used for slow active power down exit timing where a lower power value is defined by each vendor data sheet.
2. AL = Additive Latency
3. This is a minimum requirement. Minimum read to precharge timing is AL + BL/2 providing the tRTP and tRAS(min) have been satisfied.
4. A minimum of two clocks (2 * tCK) is required irrespective of operating frequency
5. Timings are guaranteed with command/address input slew rate of 1.0 V/ns. See System Derating for other slew rate values.
6. Timings are guaranteed with data, mask, and (DQS/RDQS in singled ended mode) input slew rate of 1.0 V/ns. See System Derating for other slew rate values.
7. Timings are guaranteed with $\overline{CK/CK}$ differential slew rate of 2.0 V/ns. Timings are guaranteed for DQS signals with a differential slew rate of 2.0 V/ns in differential strobe mode and a slew rate of 1V/ns in single ended mode. See System Derating for other slew rate values.

| tDS, tDH Derating Values for DDR2-1066(ALL units in 'ps', Note 1 applies to entire Table) | | | | | | | | | | | | | | | | | | | |
|---|-----|---------------------------------|--------------|--------------|--------------|--------------|--------------|--------------|--------------|--------------|--------------|--------------|--------------|--------------|--------------|--------------|--------------|--------------|--------------|
| | | DQS, DQS Differential Slew Rate | | | | | | | | | | | | | | | | | |
| | | 4.0 V/ns | | 3.0 V/ns | | 2.0 V/ns | | 1.8 V/ns | | 1.6 V/ns | | 1.4 V/ns | | 1.2 V/ns | | 1.0 V/ns | | 0.8 V/ns | |
| | | Δ tDS | Δ tDH | Δ tDS | Δ tDH | Δ tDS | Δ tDH | Δ tDS | Δ tDH | Δ tDS | Δ tDH | Δ tDS | Δ tDH | Δ tDS | Δ tDH | Δ tDS | Δ tDH | Δ tDS | Δ tDH |
| DQ Slew rate V/ns | 2.0 | 100 | 45 | 100 | 45 | 100 | 45 | - | - | - | - | - | - | - | - | - | - | - | - |
| | 1.5 | 67 | 21 | 67 | 21 | 67 | 21 | 79 | 33 | - | - | - | - | - | - | - | - | - | - |
| | 1.0 | 0 | 0 | 0 | 0 | 0 | 0 | 12 | 12 | 24 | 24 | - | - | - | - | - | - | - | - |
| | 0.9 | - | - | -5 | -14 | -5 | -14 | 7 | -2 | 19 | 10 | 31 | 22 | - | - | - | - | - | - |
| | 0.8 | - | - | - | - | -13 | -31 | -1 | -19 | 11 | -7 | 23 | 5 | 35 | 17 | - | - | - | - |
| | 0.7 | - | - | - | - | - | - | -10 | -42 | 2 | -30 | 14 | -18 | 26 | -6 | 38 | 6 | - | - |
| | 0.6 | - | - | - | - | - | - | - | - | -10 | -59 | 2 | -47 | 14 | -35 | 26 | -23 | 38 | -11 |
| | 0.5 | - | - | - | - | - | - | - | - | - | - | -24 | -89 | -12 | -77 | 0 | -65 | 12 | -53 |
| | 0.4 | - | - | - | - | - | - | - | - | - | - | - | - | -52 | -140 | -40 | -128 | -28 | -116 |

1) For all input signals the total tIS(setup time) and tIH(hold) time) required is calculated by adding the data-sheet value to the derating value listed in above Table.

Setup(tIS) nominal slew rate for a rising signal is defined as the slew rate between the last crossing of $V_{REF}(dc)$ and the first crossing of $V_{IH}(ac)min$. Setup(tIS) nominal slew rate for a falling signal is defined as the slew rate between the last crossing of $V_{REF}(dc)$ and the first crossing of $V_{IL}(ac)max$. If the actual signal is always earlier than the nominal slew rate for line between shaded ' $V_{REF}(dc)$ to ac region', use nominal slew rate for derating value(see fig a.) If the actual signal is later than the nominal slew rate line anywhere between shaded ' $V_{REF}(dc)$ to ac region', the slew rate of a tangent line to the actual signal from the ac level to dc level is used for derating value(see Fig b.)

Hold(tIH) nominal slew rate for a rising signal is defined as the slew rate between the last crossing of $V_{IL}(dc)max$ and the first crossing of $V_{REF}(dc)$. Hold(tIH) nominal slew rate for a falling signal is defined as the slew rate between the last crossing of $V_{REF}(dc)$. If the actual signal is always later than the nominal slew rate line between shaded ' dc to $V_{REF}(dc)$ region', use nominal slew rate for derating value(see Fig.c)

If the actual signal is earlier than the nominal slew rate line anywhere between shaded 'dc to $V_{REF}(dc)$ region', the slew rate of a tangent line to the actual signal from the dc level to $V_{REF}(dc)$ level is used for derating value(see Fig d.)

Although for slow rates the total setup time might be negative(i.e. a valid input signal will not have reached $V_{IH/IL}(ac)$ at the time of the rising clock transition) a valid input signal is still required to complete the transition and reach $V_{IH/IL}(ac)$.

For slew rates in between the values listed in table, the derating values may obtained by linear interpolation.

These values are typically not subject to production test. They are verified by design and characterization.

Fig. a Illustration of nominal slew rate for tIS,tDS

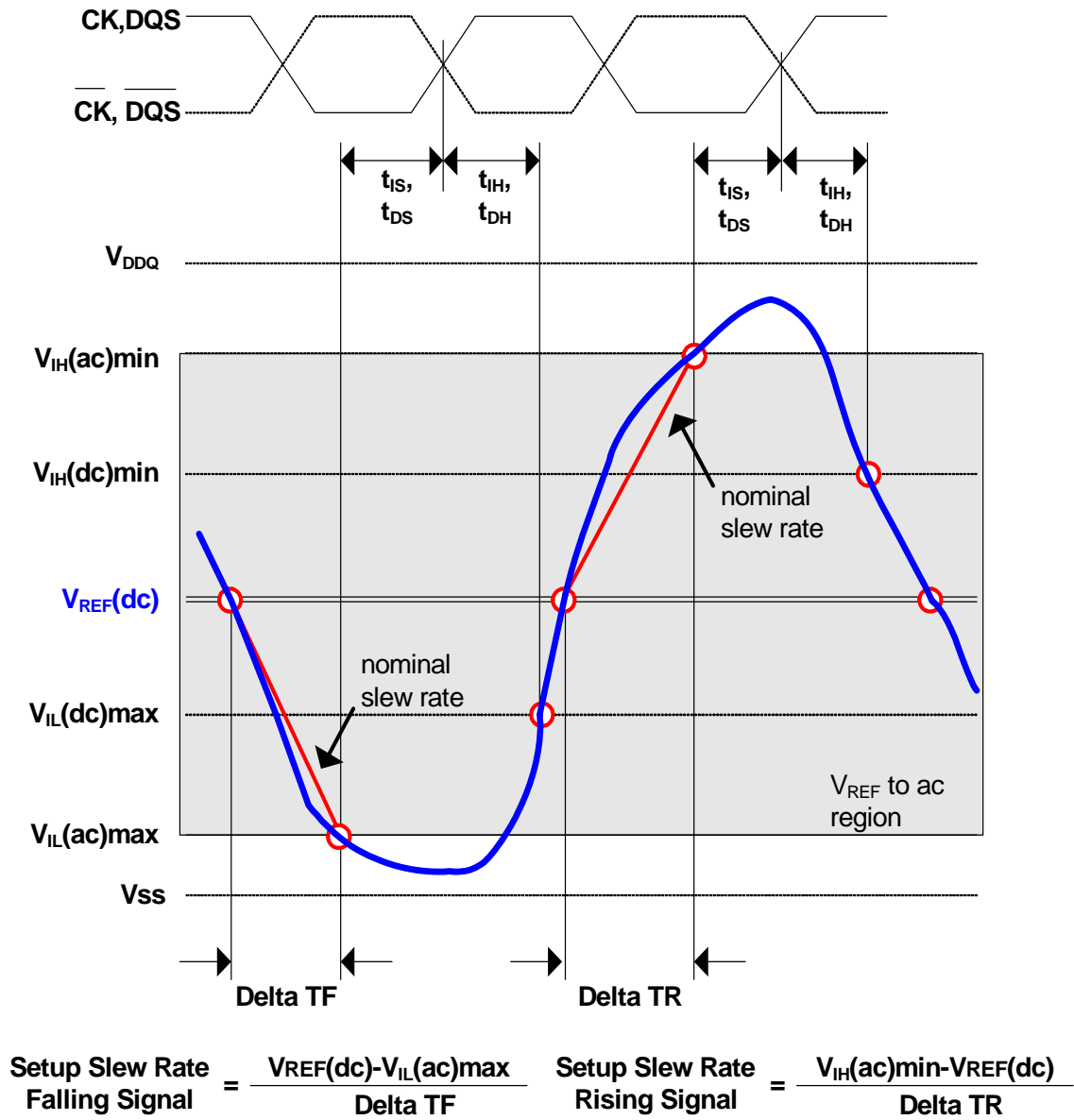
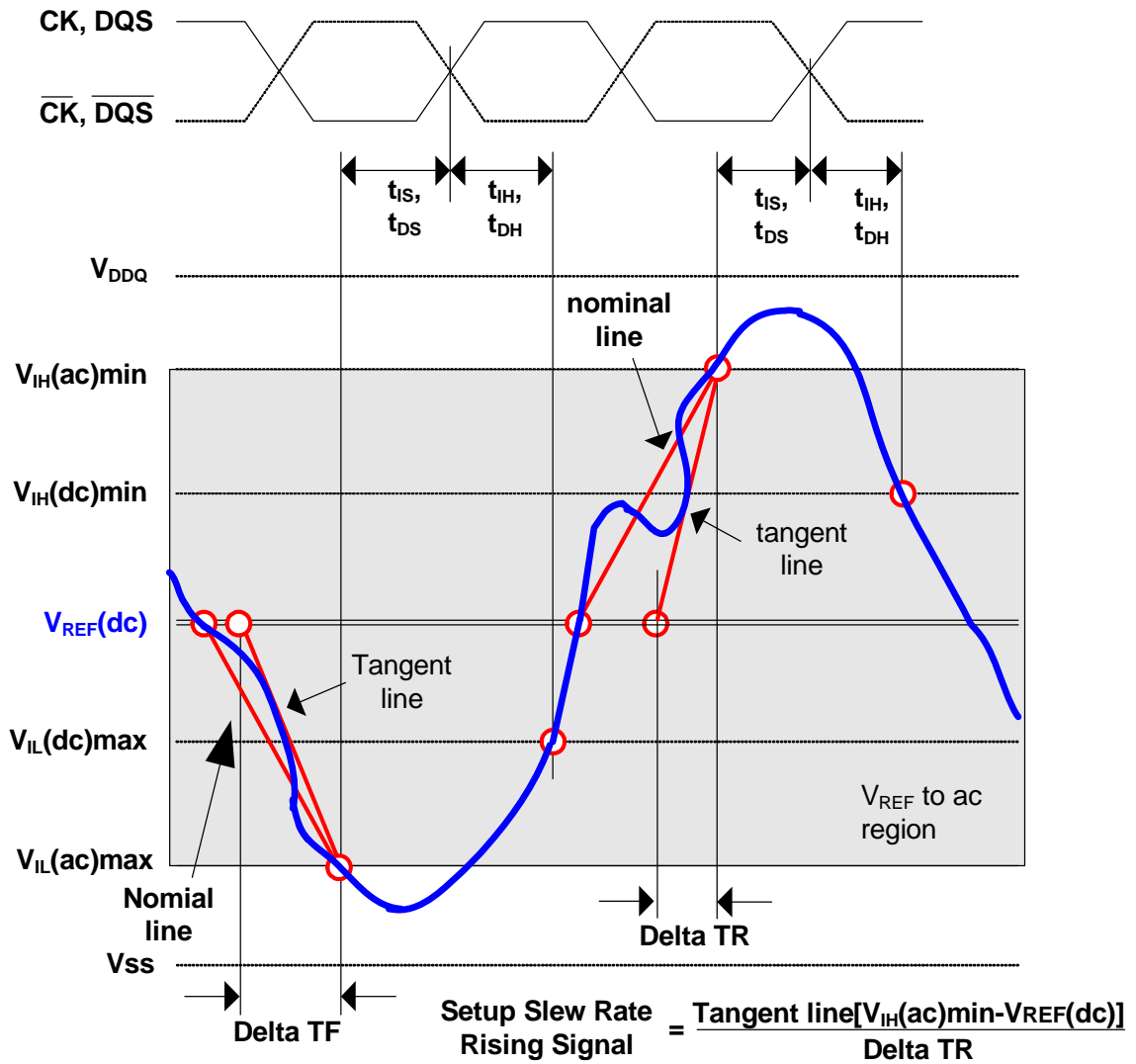


Fig. -b Illustration of tangent line for tIS,tDS



$$\text{Setup Slew Rate Falling Signal} = \frac{\text{Tangent line}[V_{REF(dc)} - V_{IL(ac)max}]}{\Delta TF}$$

Fig. -c Illustration of nominal line for t_{IH}, t_{DH}

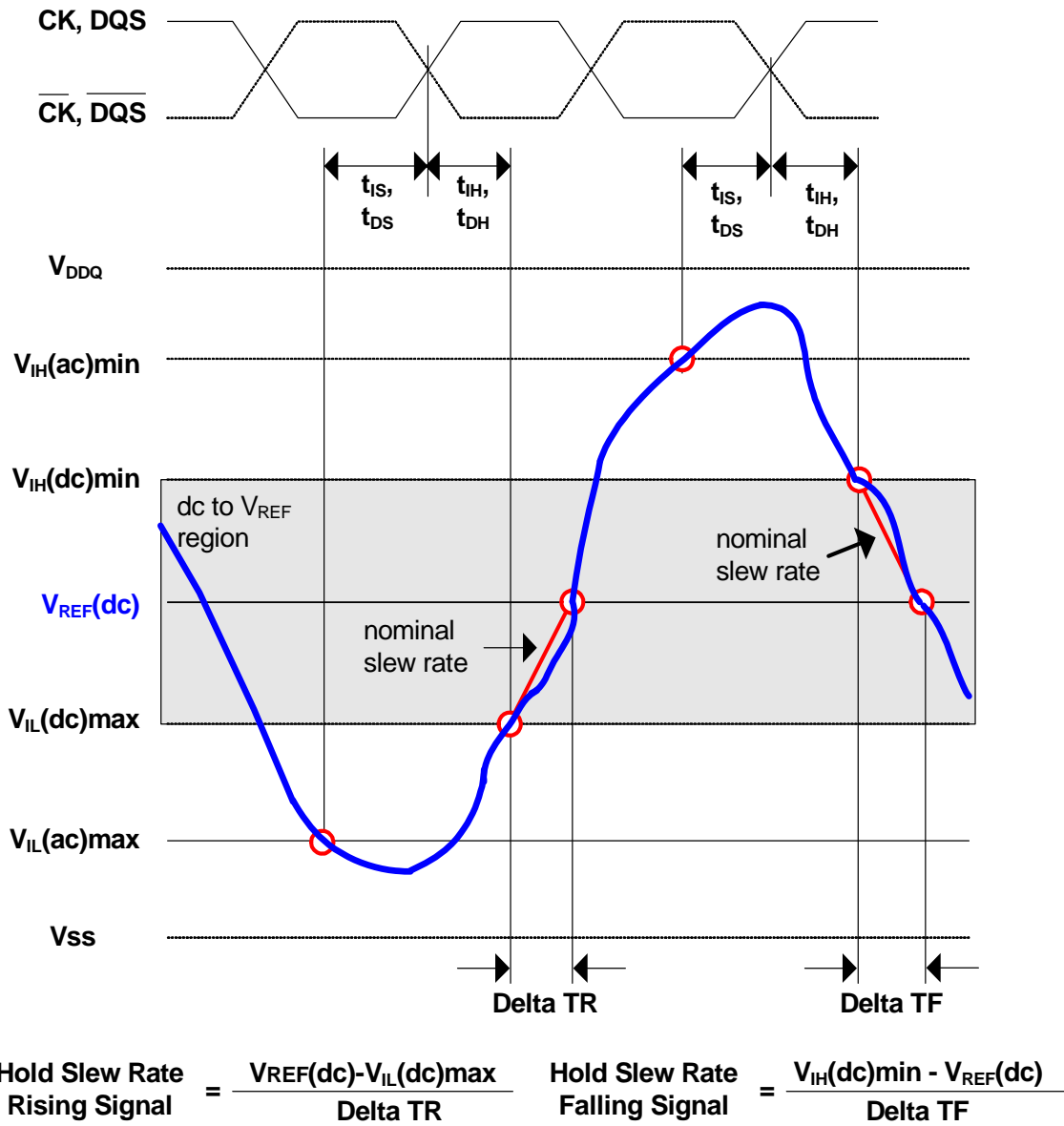
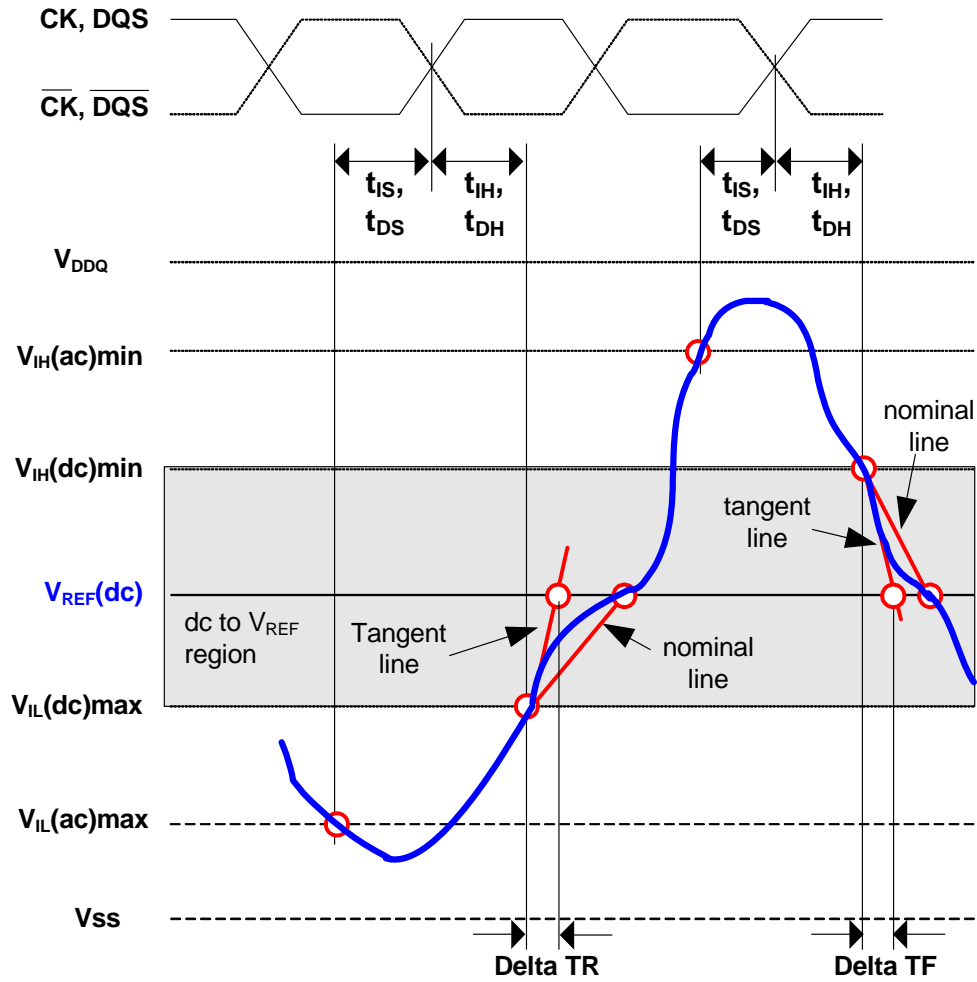


Fig. -d Illustration of tangent line for tIH , tDH



$$\text{Hold Slew Rate Rising Signal} = \frac{\text{Tangent line}[V_{REF}(dc) - V_{IL}(ac)max]}{\text{Delta TR}}$$

$$\text{Hold Slew Rate Falling Signal} = \frac{\text{Tangent line}[V_{IH}(ac)min - V_{REF}(dc)]}{\text{Delta TF}}$$

10. The maximum limit for this parameter is not a device limit. The device will operate with a greater value for this parameter, but system performance (bus turnaround) will degrade accordingly.

11. tDQSQ: Consists of data pin skew and output pattern effects, and p-channel to n-channel variation of the output drivers as well as output slew rate mismatch between DQS / DQS and associated DQ in any given cycle.

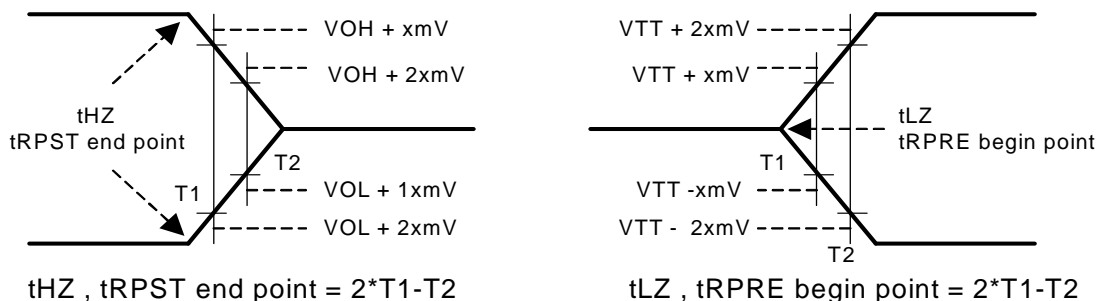
12. The clock frequency is allowed to change during self-refresh mode or precharge power-down mode. In case of clock frequency change during precharge power-down, a specific procedure is required as described in section **Input clock frequency change during precharge power down**.

13. ODT turn on time min is when the device leaves high impedance and ODT resistance begins to turn on. ODT turn on time max is when the ODT resistance is fully on. Both are measured from tAOND, which is interpreted as 2 clock cycles after the clock edge that registered a first ODT HIGH counting the actual input clock edges.

14. ODT turn off time min is when the device starts to turn off ODT resistance. ODT turn off time max is when the bus is in high impedance. Both are measured from tAOFD, which is interpreted as $0.5 \times tCK(avg)$ [ns] after the second trailing clock edge counting from the clock edge that registered a first ODT LOW and by counting the actual input clock edges. For DDR2-1066, this is 0.9375 [ns] (= 0.5×1.875 [ns]) after the second trailing clock edge counting from the clock edge that registered a first ODT LOW and by counting the actual input clock edges.

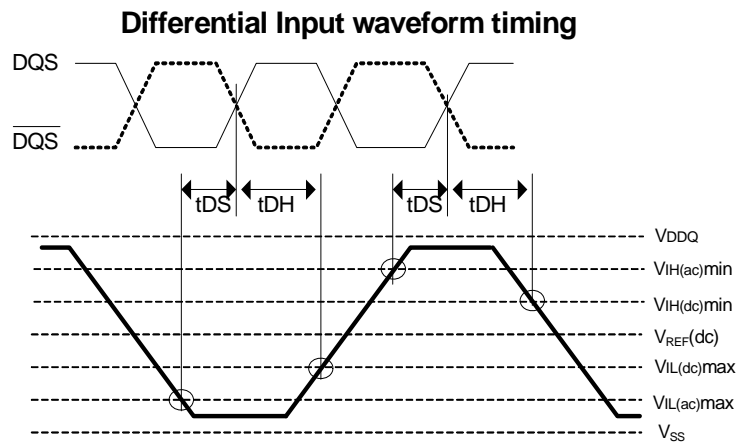
15. tHZ and tLZ transitions occur in the same access time as valid data transitions. These parameters are referenced to a specific voltage level which specifies when the device output is no longer driving (tHZ), or begins driving (tLZ). Below figure shows a method to calculate the point when device is no longer driving (tHZ), or begins driving (tLZ) by measuring the signal at two different voltages. The actual voltage measurement points are not critical as long as the calculation is consistent.

16. tRPST end point and tRPRE begin point are not referenced to a specific voltage level but specify when the device output is no longer driving (tRPST), or begins driving (tRPRE). Below figure shows a method to calculate these points when the device is no longer driving (tRPST), or begins driving (tRPRE). Below Figure shows a method to calculate these points when the device is no longer driving (tRPST), or begins driving (tRPRE) by measuring the signal at two different voltages. The actual voltage measurement points are not critical as long as the calculation is consistent.



17. Input waveform timing t_{DS} with differential data strobe enabled $MR[bit10]=0$, is referenced from the input signal crossing at the $V_{IH}(ac)$ level to the differential data strobe crosspoint for a rising signal, and from the input signal crossing at the $V_{IL}(ac)$ level to the differential data strobe crosspoint for a falling signal applied to the device under test. DQS, \overline{DQS} signals must be monotonic between $V_{il}(dc)_{max}$ and $V_{ih}(dc)_{min}$.

18. Input waveform timing t_{DH} with differential data strobe enabled $MR[bit10]=0$, is referenced from the differential data strobe crosspoint to the input signal crossing at the $V_{IH}(dc)$ level for a falling signal and from the differential data strobe crosspoint to the input signal crossing at the $V_{IL}(dc)$ level for a rising signal applied to the device under test. DQS, \overline{DQS} signals must be monotonic between $V_{il}(dc)_{max}$ and $V_{ih}(dc)_{min}$.



19. Input waveform timing is referenced from the input signal crossing at the $V_{IH}(ac)$ level for a rising signal and $V_{IL}(ac)$ for a falling signal applied to the device under test.

20. Input waveform timing is referenced from the input signal crossing at the $V_{IL}(dc)$ level for a rising signal and $V_{IH}(dc)$ for a falling signal applied to the device under test.

21. t_{WTR} is at least two clocks ($2 \times nCK$) independent of operation frequency.

22. t_{CKEmin} of 3 clocks means CKE must be registered on three consecutive positive clock edges. CKE must remain at the valid input level the entire time it takes to achieve the 3 clocks of registration. Thus, after any CKE transition, CKE may not transition from its valid level during the time period of $t_{IS} + 2 \times t_{CK} + t_{IH}$.

23. If t_{DS} or t_{DH} is violated, data corruption may occur and the data must be re-written with valid data before a valid READ can be executed.

24. These parameters are measured from a command/address signal (CKE, CS, RAS, CAS, WE, ODT, BA0, A0, A1, etc.) transition edge to its respective clock signal (CK/CK) crossing. The spec values are not affected by the amount of clock jitter applied (i.e. tJIT(per), tJIT(cc), etc.), as the setup and hold are relative to the clock signal crossing that latches the command/address. That is, these parameters should be met whether clock jitter is present or not.

25. These parameters are measured from a data strobe signal ((L/U/R)DQS/DQS) crossing to its respective clock signal (CK/CK) crossing. The spec values are not affected by the amount of clock jitter applied (i.e. tJIT(per), tJIT(cc), etc.), as these are relative to the clock signal crossing. That is, these parameters should be met whether clock jitter is present or not.

26. These parameters are measured from a data signal ((L/U) DM, (L/U) DQ0, (L/U) DQ1, etc.) transition edge to its respective data strobe signal ((L/U/R)DQS/DQS) crossing.

27. For these parameters, the DDR2 SDRAM device is characterized and verified to support $tnPARAM = RU\{tPARAM / tCK(avg)\}$, which is in clock cycles, assuming all input clock jitter specifications are satisfied.

For example, the device will support $tnRP = RU\{tRP / tCK(avg)\}$, which is in clock cycles, if all input clock jitter specifications are met. This means: For DDR2-1066 7-7-7, of which $tRP = 13.125ns$, the device will support $tnRP = RU\{tRP / tCK(avg)\} = 7$, i.e. as long as the input clock jitter specifications are met, Pre-charge command at Tm and Active command at $Tm+7$ is valid even if $(Tm+7 - Tm)$ is less than $13.127ns$ due to input clock jitter.

28. Specific Note 28 $tDAL [nCK] = WR [nCK] + tnRP [nCK] = WR + RU\{tRP [ps] / tCK(avg) [ps]\}$, where WR is the value programmed in the mode register set and RU stands for round up.

Example: For DDR2-1066 7-7-7 at $tCK(avg) = 1.875 ns$ with WR programmed to 8 nCK,

$tDAL = 8 + RU\{13.125 ns / 1.875 ns\} [nCK] = 8 + 7 [nCK] = 15 [nCK]$

29. New units, 'tCK(avg)' and 'nCK', are introduced in DDR2-1066.

Unit 'tCK(avg)' represents the actual tCK(avg) of the input clock under operation.

Unit 'nCK' represents one clock cycle of the input clock, counting the actual clock edges.

ex) $tXP = 3 [nCK]$ means; if Power Down exit is registered at Tm , an Active command may be registered at $Tm+3$, even if $(Tm+3 - Tm)$ is $3 \times tCK(avg) + tERR(3per)$, min.

30. Input clock jitter spec parameter. These parameters and the ones in the table below are referred to as 'input clock jitter spec parameters' and these parameters apply to DDR2-1066. The jitter specified is a random jitter meeting a Gaussian distribution.

| Parameter | Symbol | DDR2-1066 | | Units | Notes |
|--|----------------|-----------|-----|-------|-------|
| | | min | max | | |
| Clock period jitter | tJIT(per) | -90 | 90 | ps | 30 |
| Clock period jitter during DLL locking period | tJIT(per,lck) | -80 | 80 | ps | 30 |
| Cycle to cycle clock period jitter | tJIT(cc) | -180 | 180 | ps | 30 |
| Cycle to cycle clock period jitter during DLL locking period | tJIT(cc,lck) | -160 | 160 | ps | 30 |
| Cumulative error across 2 cycles | tERR(2per) | -132 | 132 | ps | 30 |
| Cumulative error across 3 cycles | tERR(3per) | -157 | 157 | ps | 30 |
| Cumulative error across 4 cycles | tERR(4per) | -175 | 175 | ps | 30 |
| Cumulative error across 5 cycles | tERR(5per) | -188 | 188 | ps | 30 |
| Cumulative error across n cycles, n=6...10, inclusive | tERR(6~10per) | -250 | 250 | ps | 30 |
| Cumulative error across n cycles, n=11...50, inclusive | tERR(11~50per) | -425 | 425 | ps | 30 |
| Duty cycle jitter | tJIT(duty) | -75 | 75 | ps | 30 |

31. These parameters are specified per their average values, however it is understood that the following relationship between the average timing and the absolute instantaneous timing holds at all times. (Min and max of SPEC values are to be used for calculations in the table below.

| Parameter | Symbol | min | max | Units |
|---------------------------------|----------|--|--|-------|
| Absolute clock period | tCK(abs) | tCK(avg),min+tJIT(per),min | tCK(avg),max+tJIT(per),max | ps |
| Absolute clock HIGH pulse width | tCH(abs) | tCH(avg),min x tCK(avg),min + tJIT(duty),min | tCH(avg),max x tCK(avg),max + tJIT(duty),max | ps |
| Absolute clock LOW pulse width | tCL(abs) | tCL(avg),min x tCK(avg),min + tJIT(duty),min | tCL(avg),max x tCK(avg),max + tJIT(duty),max | ps |

Example: For DDR2-1066, tCH(abs),min = (0.48 x 1875 ps) - 75 ps = 825 ps

32. THP is the minimum of the absolute half period of the actual input clock. THP is an input parameter but not an input specification parameter. It is used in conjunction with tQHS to derive the DRAM output timing tQH.

The value to be used for tQH calculation is determined by the following equation;

$$tHP = \text{Min} (tCH(abs), tCL(abs)),$$

where,

tCH(abs) is the minimum of the actual instantaneous clock HIGH time;

tCL(abs) is the minimum of the actual instantaneous clock LOW time;

33. tQHS accounts for:

- 1) The pulse duration distortion of on-chip clock circuits, which represents how well the actual tHP at the input is transferred to the output; and
- 2) The worst case push-out of DQS on one transition followed by the worst case pull-in of DQ on the next transition, both of which are independent of each other, due to data pin skew, output pattern effects, and p-channel to n-channel variation of the output drivers

34. $tQH = tHP - tQHS$, where:

tHP is the minimum of the absolute half period of the actual input clock; and

tQHS is the specification value under the max column.

{The less half-pulse width distortion present, the larger the tQH value is; and the larger the valid data eye will be.}

Examples:

- 1) If the system provides tHP of 1315 ps into a DDR2-1066 SDRAM, the DRAM provides tQH of 575 ps minimum.
- 2) If the system provides tHP of 900 ps into a DDR2-1066 SDRAM, the DRAM provides tQH of 650 ps minimum.

35. When the device is operated with input clock jitter, this parameter needs to be derated by the actual tERR(6-10per) of the input clock. (output deratings are relative to the SDRAM input clock.)

For example, if the measured jitter into a DDR2-1066 SDRAM has $tERR(6-10per),min = -202$ ps and $tERR(6-10per),max = +223$ ps,

then $tDQCK,min(derated) = tDQCK,min - tERR(6-10per),max = -300$ ps - 223 ps = -523 ps and

$tDQCK,max(derated) = tDQCK,max - tERR(6-10per),min = 300$ ps + 202 ps = +502 ps. Similarly, tLZ(DQ) for DDR2-1066 derates to $tLZ(DQ),min(derated) = -700$ ps - 223 ps = -923 ps and $tLZ(DQ),max(derated) = 350$ ps + 202 ps = +552 ps. (Caution on the min/max usage!)

36. When the device is operated with input clock jitter, this parameter needs to be derated by the actual tJIT(per) of the input clock. (output deratings are relative to the SDRAM input clock.)

For example, if the measured jitter into a DDR2-1066 SDRAM has $tJIT(per),min = -72$ ps and $tJIT(per),max = +63$ ps, then $tRPRE,min(derated) = tRPRE,min + tJIT(per),min = 0.9 \times tCK(ave) - 72$ ps = +1615.5 ps and

$tRPRE,max(derated) = tRPRE,max + tJIT(per),max = 1.1 \times tCK(ave) + 63$ ps = +2125.5 ps. (Caution on the min/max usage!)

37. When the device is operated with input clock jitter, this parameter needs to be derated by the actual tJIT(duty) of the input clock. (output deratings are relative to the SDRAM input clock.)

For example, if the measured jitter into a DDR2-1066 SDRAM has $tJIT(duty),min = -72$ ps and $tJIT(duty),max = +63$ ps, then $tRPST,min(derated) = tRPST,min + tJIT(duty),min = 0.4 \times tCK(ave) - 72$ ps = +678 ps and

$tRPST,max(derated) = tRPST,max + tJIT(duty),max = 0.6 \times tCK(ave) + 63$ ps = +1188 ps. (Caution on the min/max usage!)

38 When the device is operated with input clock jitter, this parameter needs to be derated by { - tJIT(duty),max - tERR(6-10per),max } and { - tJIT(duty),min - tERR(6-10per),min } of the actual input clock. (output deratings are relative to the SDRAM input clock.)

For example, if the measured jitter into a DDR2-1066 SDRAM has tERR(6-10per),min = - 202 ps, tERR(6-10per),max = + 223 ps, tJIT(duty),min = - 66 ps and tJIT(duty),max = + 74 ps, then tAOF,min(derated) = tAOF,min + { - tJIT(duty),max - tERR(6-10per),max } = - 350 ps + { - 74 ps - 223 ps } = - 647 ps and tAOF,max(derated) = tAOF,max + { - tJIT(duty),min - tERR(6-10per),min } = 950 ps + { 66 ps + 202 ps } = + 1218 ps. (Caution on the min/max usage!)

39. For tAOFD of DDR2-1066, the 1/2 clock of nCK in the 2.5 x nCK assumes a tCH(avg), average input clock HIGH pulse width of 0.5 relative to tCK(avg). tAOF,min and tAOF,max should each be derated by the same amount as the actual amount of tCH(avg) offset present at the DRAM input with respect to 0.5. For example, if an input clock has a worst case tCH(avg) of 0.48, the tAOF,min should be derated by subtracting 0.02 x tCK(avg) from it, whereas if an input clock has a worst case tCH(avg) of 0.52, the tAOF,max should be derated by adding 0.02 x tCK(avg) to it. Therefore, we have;

$$tAOF,min(derated) = tAC,min - [0.5 - \text{Min}(0.5, tCH(avg),min)] \times tCK(avg)$$

$$tAOF,max(derated) = tAC,max + 0.6 + [\text{Max}(0.5, tCH(avg),max) - 0.5] \times tCK(avg)$$

or

$$tAOF,min(derated) = \text{Min}(tAC,min, tAC,min - [0.5 - tCH(avg),min] \times tCK(avg))$$

$$tAOF,max(derated) = 0.6 + \text{Max}(tAC,max, tAC,max + [tCH(avg),max - 0.5] \times tCK(avg))$$

where tCH(avg),min and tCH(avg),max are the minimum and maximum of tCH(avg) actually measured at the DRAM input balls.

Note that these deratings are in addition to the tAOF derating per input clock jitter, i.e. tJIT(duty) and tERR(6-10per). However tAC values used in the equations shown above are from the timing parameter table and are not derated.

Thus the final derated values for

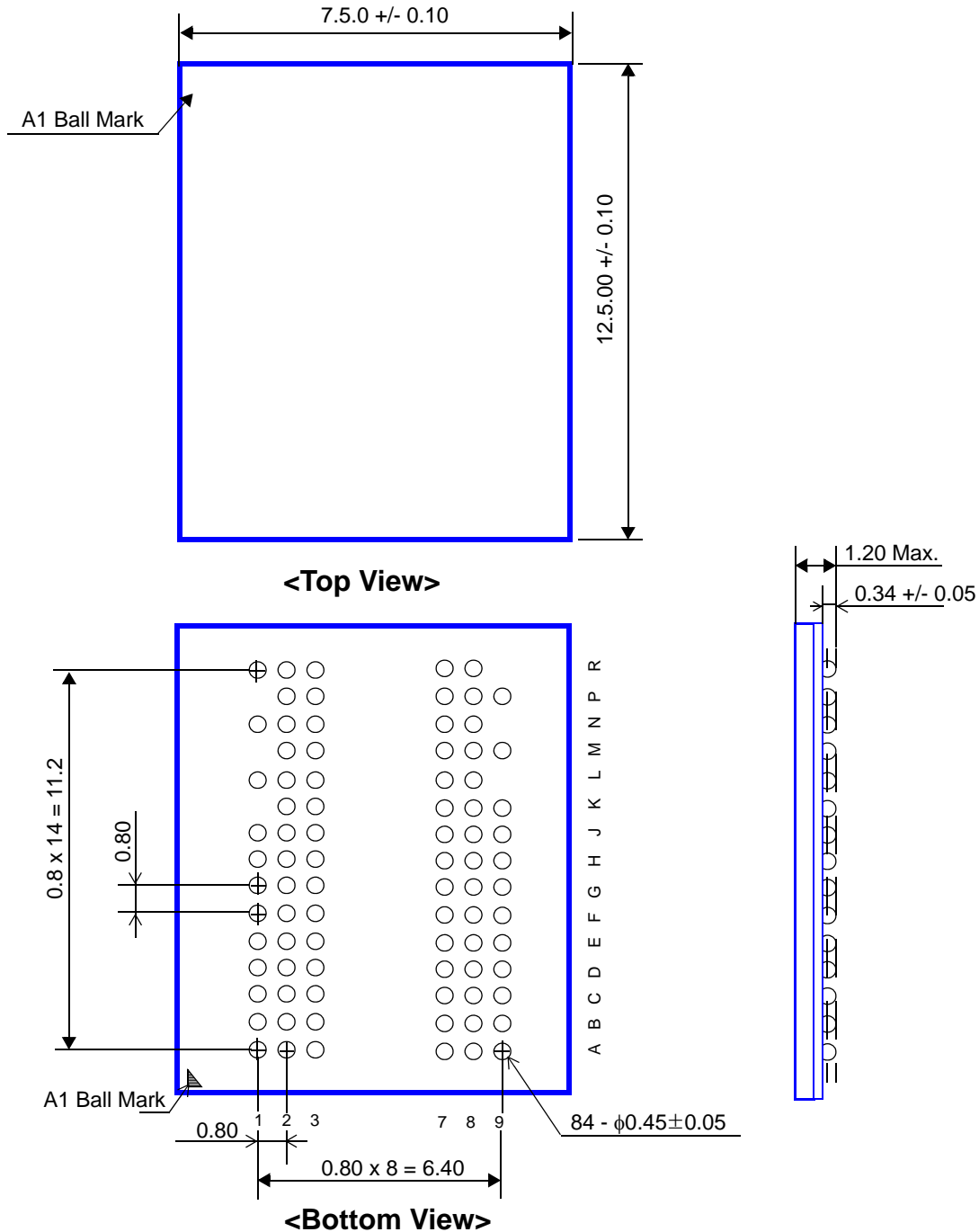
tAOF are;

$$tAOF,min(derated_final) = tAOF,min(derated) + \{ - tJIT(duty),max - tERR(6-10per),max \}$$

$$tAOF,max(derated_final) = tAOF,max(derated) + \{ - tJIT(duty),min - tERR(6-10per),min \}$$

Package Dimension(x16)

84Ball Fine Pitch Ball Grid Array Outline



note: all dimension units are Millimeters.